

OYO

PANNELLI FONO-DINAMICI[®]
sound-dynamic[®] panels



IMPORTANTE / it's very important

SULL'ORDINE INDICARE SEMPRE IL CODICE COMPLETO A 9 CIFRE
always indicate on the order the complete 9-digit code

ESEMPIO: PER ORDINARE 1 PANNELLO **ART.978** VERDE ACIDO INDICARE IL CODICE = **175** | **978** | **528**
example: to order 1 PANEL **ART.978** ACID GREEN indicate the code =

DECODIFICA → MODELLO ARTICOLO CODICE FINITURA (*
decoding → model art.cdc. finish code (*

In vigore dal:
Valid from:
01/01/2018

Valido fino a nuova emissione
Valid until new emission

SOMMARIO / summary

CARTELLA COLORI PER PANNELLI FONO-DINAMICI	3
<i>colours samples card for sound-dynamic panel</i>	
CARTELLA COLORI PER MORSETTI E ACCESSORI	3
<i>colours samples card for clamps and accessories</i>	
PANNELLI FONO-DINAMICI PER SCRIVANIE	4
<i>sound-dynamic panels for desks</i>	
SCHEMA UTILIZZO MORSETTI	5
<i>scheme of use clamps</i>	
ACCESSORI PER PANNELLI FONO-DINAMICI	6
<i>accessories for sound-dynamic panels</i>	
DESCRIZIONE TECNICA	7
TECHNICAL DESCRIPTION	7
INDICE DEI CODICI	8
<i>codes index</i>	

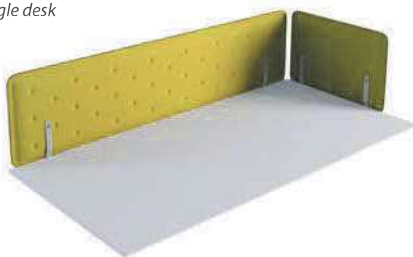
PANNELLO FONO-DINAMICO E ACCESSORI

phono-dynamic panel and accessories



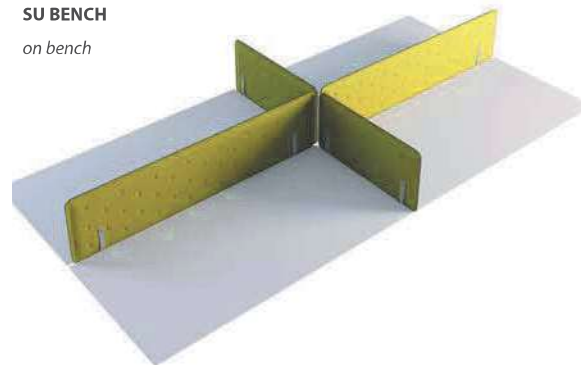
SU SCRIVANIA SINGOLA

on single desk



SU BENCH

on bench



DETTAGLIO SOSTEGNI

support detail



CARTELLA COLORI PER PANNELLI FONO-DINAMICI
colours samples card for sound-dynamic panel

Cat. B

CREPE



100% Poliestere FR-TREVIRA CS
 Peso: 330 gr/m²
 Martindale 100.000 cicli
 Ignifugo classe 1

100% Polyester FR-TREVIRA CS
 Weight: 330 gr/m²
 Martindale 100.000 turns
 Fire-retardant class 1 (one)



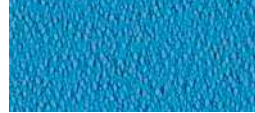
522
GRIGIO PERLA | LIGHT GREY



525
AVORIO | IVORY



528
VERDE ACIDO | ACID GREEN



531
CELESTE | LIGHT BLUE



534
GIALLO | YELLOW



524
NERO | BLACK



526
NOCCIOLA | HAZEL



253
AZZURRO | AZURE



535
ARANCIO | ORANGE



537
ROSSO | RED

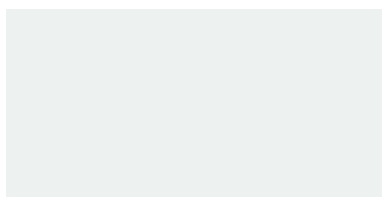
CARTELLA COLORI PER MORSETTI E ACCESSORI
colours samples card for clamps and accessories



COD. AR 02
ARGENTO | SILVER
 Oxi - 5th Element - Contenitori Universali Evo - Oyo



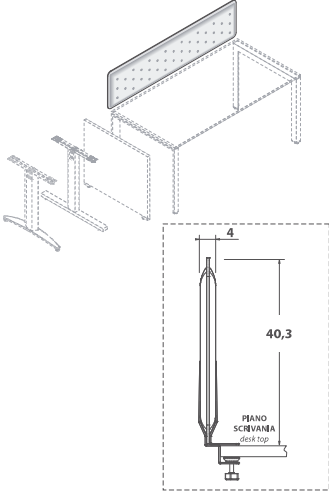
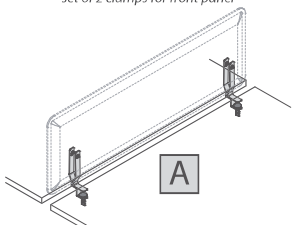
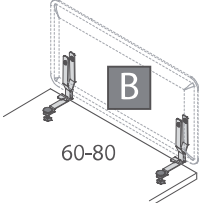
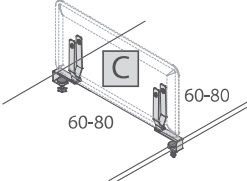
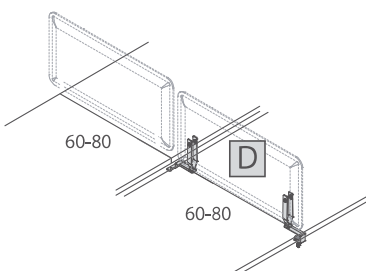
COD. AN 02
ANTRACITE | ANTHRACITE
 5th Element - Contenitori Universali Evo - Oyo
 Delta Evo - I Meet



COD. BI 02 (RAL 9016)
BIANCO | WHITE
 Oxi - 5th Element - Contenitori Universali Evo
 Delta Evo - Enosi Evo - Oyo



COD. SG 01
STONE GREY | STONE GREY
 Oxi-5th Element-ContenitoriUniversaliEvo-Oyo-IMeet

PANNELLI FONO-DINAMICI PER SCRIVANIE sound-dynamic panels for desks																																								
DESCRIZIONE description	L w	CODICE code	KG	M ³	COLLI	PREZZO price	(*) CODICE FINITURA (*) finish code																																	
PANNELLI FONO-DINAMICI sound-dynamic panels  L. x p.4 x H.40	TESSUTO fabric																																							
	L.60	175 974 (*)	1	0,010	1	€ 136,00																																		
	L.80	175 975 (*)	1,3	0,014	1	€ 138,00																																		
	L.100	175 976 (*)	1,6	0,018	1	€ 162,00																																		
	L.120	175 977 (*)	1,9	0,022	1	€ 167,00																																		
	L.140	175 978 (*)	2,2	0,026	1	€ 180,00																																		
	L.160	175 979 (*)	2,5	0,030	1	€ 182,00																																		
	L.180	175 980 (*)	2,8	0,034	1	€ 214,00																																		
	DA COMPLETARE SEMPRE CON 1 KIT MORSETTI PER SCHEMA DI UTILIZZO VEDI PAGINA SEGUENTE <i>to be always complete with 1 set of clamps for scheme of use , please see next page</i>																																							
								<table border="1"> <thead> <tr> <th>(*)</th> <th>CREPE Trevira CS Ignifugo</th> <th>CREPE Fire-retardant Trevira CS</th> </tr> </thead> <tbody> <tr> <td>522</td> <td>GRIGIO PERLA</td> <td>light grey</td> </tr> <tr> <td>524</td> <td>NERO</td> <td>black</td> </tr> <tr> <td>525</td> <td>AVORIO</td> <td>ivory</td> </tr> <tr> <td>526</td> <td>NOCCIOLA</td> <td>hazel</td> </tr> <tr> <td>528</td> <td>VERDE ACIDO</td> <td>acid green</td> </tr> <tr> <td>531</td> <td>CELESTE</td> <td>light blue</td> </tr> <tr> <td>253</td> <td>AZZURRO</td> <td>azure</td> </tr> <tr> <td>534</td> <td>GIALLO</td> <td>yellow</td> </tr> <tr> <td>535</td> <td>ARANCIO</td> <td>orange</td> </tr> <tr> <td>537</td> <td>ROSSO</td> <td>red</td> </tr> </tbody> </table>	(*)	CREPE Trevira CS Ignifugo	CREPE Fire-retardant Trevira CS	522	GRIGIO PERLA	light grey	524	NERO	black	525	AVORIO	ivory	526	NOCCIOLA	hazel	528	VERDE ACIDO	acid green	531	CELESTE	light blue	253	AZZURRO	azure	534	GIALLO	yellow	535	ARANCIO	orange	537	ROSSO
(*)	CREPE Trevira CS Ignifugo	CREPE Fire-retardant Trevira CS																																						
522	GRIGIO PERLA	light grey																																						
524	NERO	black																																						
525	AVORIO	ivory																																						
526	NOCCIOLA	hazel																																						
528	VERDE ACIDO	acid green																																						
531	CELESTE	light blue																																						
253	AZZURRO	azure																																						
534	GIALLO	yellow																																						
535	ARANCIO	orange																																						
537	ROSSO	red																																						
KIT 2 MORSETTI PER PANNELLO FRONTALE set of 2 clamps for front panel  A	PER PIANI SPESS. 18-25mm for top thick. 18-25mm																																							
	175 992 (*)	1	0,004	1	€ 61,00																																			
KIT 2 MORSETTI PER PANNELLO TERMINALE set of 2 clamps for end panel  B 60-80	PER PIANI SPESS. 18mm for top thick. 18mm																																							
	175 993 (*)	1	0,004	1	€ 64,00																																			
	PER PIANI SPESS. 25mm for top thick. 25mm																																							
	175 994 (*)	1	0,004	1	€ 65,00																																			
KIT 2 MORSETTI PER PANNELLO CENTRALE SU SCRIVANIE IN LINEA set of 2 clamps for central panel for desk in line  C 60-80	PER PIANI SPESS. 18-25mm for top thick. 18-25mm																																							
	175 995 (*)	1	0,004	1	€ 68,00																																			
KIT 2 MORSETTI PER PANNELLO CENTRALE SU BENCH (SOLO 5 TH ELEMENT) set of 2 clamps for central panel on bench (for 5th element only)  D 60-80	PER PIANI SPESS. 18-25mm for top thick. 18-25mm																																							
	175 996 (*)	1	0,004	1	€ 51,00																																			
MONTAGGIO SU GAMBA CENTRALE BENCH MOD. 5TH ELEMENT <i>assembling on central leg of the bench Mod.5th ELEMENT only!</i>																																								
							<table border="1"> <thead> <tr> <th>(*)</th> <th></th> <th></th> </tr> </thead> <tbody> <tr> <td>000</td> <td>ARGENTO</td> <td>silver</td> </tr> <tr> <td>440</td> <td>BIANCO</td> <td>white</td> </tr> <tr> <td>551</td> <td>ANTRACITE</td> <td>anthracite</td> </tr> <tr> <td>844</td> <td>STONE GREY</td> <td>stone grey</td> </tr> </tbody> </table>	(*)			000	ARGENTO	silver	440	BIANCO	white	551	ANTRACITE	anthracite	844	STONE GREY	stone grey																		
(*)																																								
000	ARGENTO	silver																																						
440	BIANCO	white																																						
551	ANTRACITE	anthracite																																						
844	STONE GREY	stone grey																																						

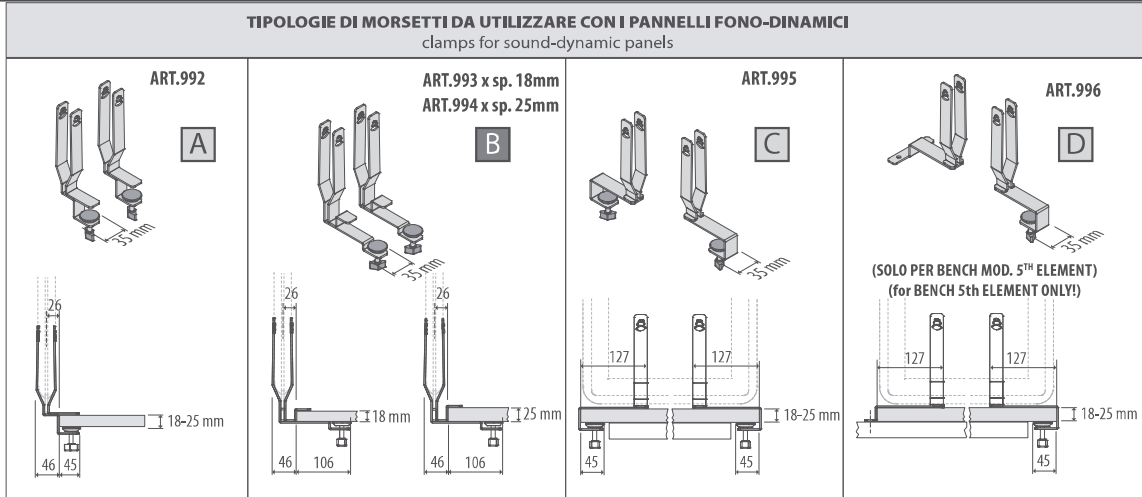


B C D

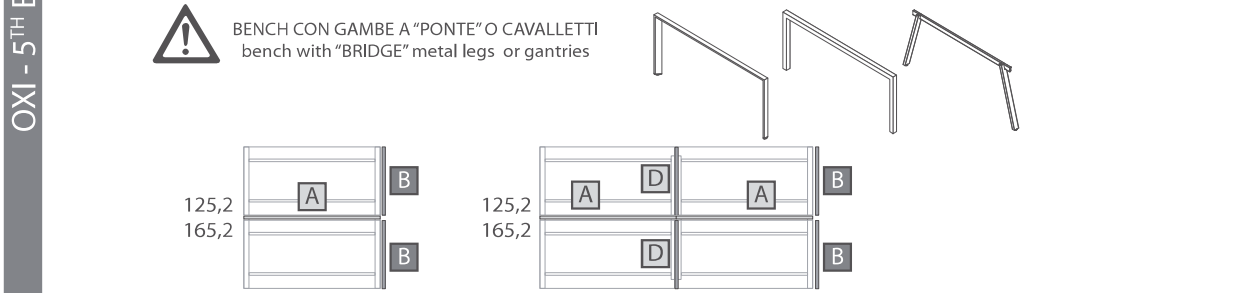
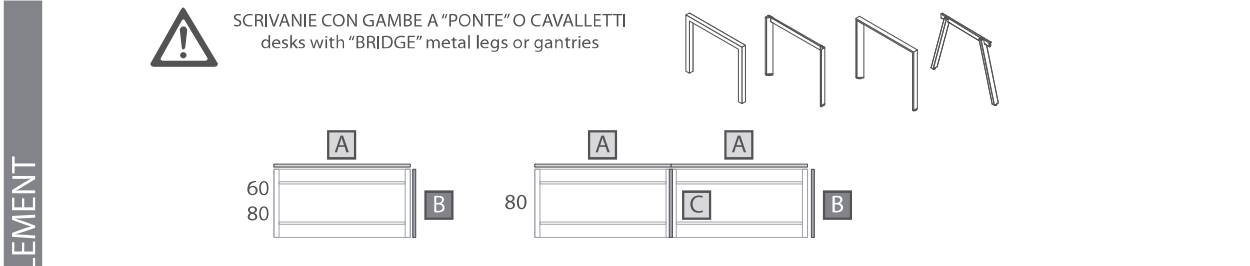
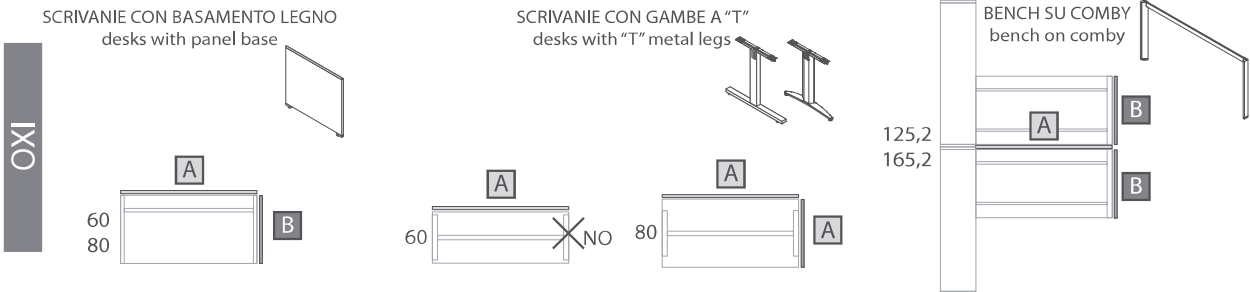
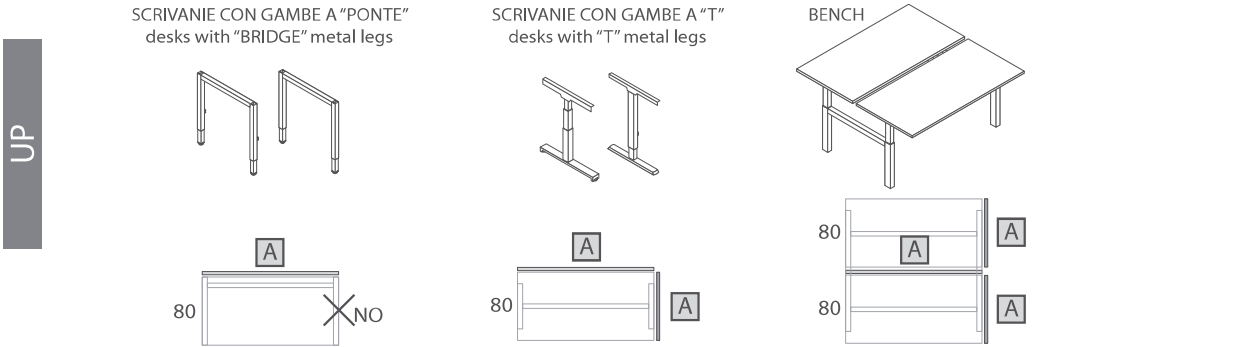


PANNELLI E TIPI DI MORSETTI NON UTILIZZABILI SU PIANI SCORREVOLI!
Panels and type of clips that can not be used on sliding tops!

SCHEMA UTILIZZO MORSETTI
scheme of use clamps



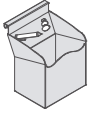

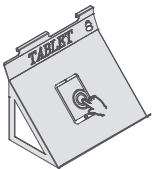
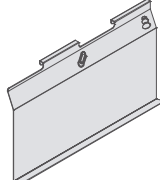
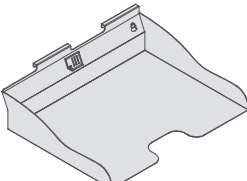


MODELLI DOVE SI POSSONO UTILIZZARE
 Models where you can use them



! B C D → **PANNELLI E TIPI DI MORSETTI NON UTILIZZABILI SU PIANI SCORREVOLI!**
 Panels and type of clips that can not be used on sliding tops!

**SOUND-DYNAMIC®
 PANELS**

ACCESSORI PER PANNELLI FONO-DINAMICI							
accessories for sound-dynamic panels							
DESCRIZIONE description	L w	CODICE code	KG	M ³	COLLI	PREZZO price	(*) CODICE FINITURA (*) finish code
PORTA-FIORE CON PROVETTA flower-holder with tube  L.4 x p.10,6 x H.14,8		175 963 (*)	0,3	0,003	1	€ 29,00	
PORTA-BOTTIGLIA bottle-holder  L.8 x p.10,6 x H.18,9		175 964 (*)	0,3	0,003	1	€ 28,00	
PORTA-PENNE pen-holder  L.8,2 x p.8 x H.11		175 965 (*)	0,3	0,003	1	€ 28,00	
PORTA-CELLULARE smartphone-holder  L.16,4 x p.7 x H.12		175 966 (*)	0,3	0,003	1	€ 30,00	
PORTA-TABLET tablet-holder  L.25 x p.17,3 x H.19		175 967 (*)	1,5	0,025	1	€ 35,00	
LAVAGNA METALLICA metallic board  L.33 x p.4,1 x H.19		175 968 (*)	1,5	0,025	1	€ 35,00	
PORTA-CARTA A4 A4 paper-holder  L.33,2 x p.27,3 x H.8,6		175 969 (*)	1,5	0,025	1	€ 35,00	

(*)		
000	ARGENTO	silver
440	BIANCO	white
551	ANTRACITE	anthracite
844	STONE GREY	stone grey

DESCRIZIONE TECNICA

PANNELLI ACUSTICI

I pannelli fono-dinamici® sono realizzati in fibra di poliestere riciclata con densità 3000 gr/m², spessore 40 mm, termoformata con bordi tagliati a laser.

I pannelli sono rivestiti con tessuto bi-elastico stretch CREPE "TREVIRA CS".

SUPPORTI

I supporti desking sono realizzati in lamiera d'acciaio 30/10 saldata e presso piegata, verniciata con polveri epossidiche con incisioni e tagli al laser. Disponibili nei colori: ARGENTO, BIANCO, ANTRACITE, STONE GREY.

ACCESSORI

Sono realizzati in lamiera d'acciaio 10/10, presso-piegata con tagli ed incisioni al laser e verniciate con polveri epossidiche. Disponibili nei colori: ARGENTO, BIANCO, ANTRACITE, STONE GREY.

TECHNICAL DESCRIPTION

ACOUSTIC PANELS

The sound-dynamic® panels are made by 3000 gr/m² density recycled polyester fiber, 40mm thick., thermoformed with laser cut edge. Panels are coated with double stretch fabric CREPE "TREVIRA CS".

SUPPORTS

Desks supports are made by 30/10 steel foil welded and press formed, painted with epoxy resin powder with laser cut and engravings. Available in colours: SILVER, WHITE, ANTHRACITE, STONE GREY.

ACCESSORIES

Desks supports are made by 10/10 press formed steel foil, painted with epoxy resin powder with laser cut and engravings. Available in colours: SILVER, WHITE, ANTHRACITE, STONE GREY.

CARATTERISTICHE TECNICHE DEL TESSUTO

Fabric technical description

CREPE (FR - Trevira CS)



Certificato Classe 1 Ministero dell'Interno

COMPOSIZIONE: <i>composition:</i>	100% PL Poliestere FR - Trevira CS 100% PL Polyester FR - Trevira CS		
PESO: <i>weight:</i>	gr./m ² 330 ± 10% gr./m ² 330 ± 10%		
ABRASIONE: <i>abrasion test:</i>	Test Martindale Martindale Test	UNI EN ISO 12947:2000 UNI EN ISO 12947:2000	100.000 cicli ± 20% 100.000 turns ± 20%
SOLIDITÀ LUCE: <i>lightfastness:</i>	XENOTEST	UNI EN ISO 105 B02	5 ± 1
PULIZIA: <i>cleaning:</i>	Usare con regolarità l'aspirapolvere a beccuccio liscio, senza spazzolare Use the vacuum-cleaner with spout regularly, don't brush		
LAVAGGIO: <i>washing:</i>			
OMOLOGAZIONI: <i>approvals:</i>	<p>Le proprietà ignifughe sono intrinseche nella fibra e non da trattamenti aggiuntivi The flame-retardant properties are inherent to the fibre and are not provided by additional treatments</p> <ul style="list-style-type: none"> I Classe 1 F M1 D B1 DIN 4102 GB BS 5852 Crib 5 using a CM Foam 35 kg/cu.m EN 1021 Part. 1-2 using a CM Foam 35 kg/cu.m EN 13773 Burning Behaviour: class 1 EN 13501-1 esp 1,2: B-s, d0 A Q1 (OENORM 3800 Part.1) A B1 (OENORM B 3825) 		

(I dati riportati nella presente scheda tecnica, anche se riportati con la migliore approssimazione possibile, sono da considerarsi tuttavia indicativi)
(The data reported in this technical sheet, even though reported with best possible approximation, should however be considered indicative)

INDICE DEI CODICI
codes index

INDICE DEI CODICI /codes index
Mod. OYO- PANNELLI FONO-DINAMICI
Mod. OYO- SOUND DYNAMIC PANELS

* = INDICARE IL CODICE FINITURA
= complete with finish code

CODICE code	DESCRIZIONE description	PAG. page	PREZZO price
175 963 *	PORTA-FIORE CON PROVETTA flower-holder with tube	6	€ 29,00
175 964 *	PORTA-BOTTIGLIA bottle-holder	6	€ 28,00
175 965 *	PORTA-PENNE pen-holder	6	€ 28,00
175 966 *	PORTA-CELLULARE smartphone-holder	6	€ 30,00
175 967 *	PORTA-TABLET tablet-holder	6	€ 35,00
175 968 *	LAVAGNA METALLICA metallic board	6	€ 35,00
175 969 *	PORTA-CARTA A4 A4 paper-holder	6	€ 35,00
175 974 *	PANNELLO FONO-DINAMICO L.60 sound-dynamic panel w 60 cms	4	€ 136,00
175 975 *	PANNELLO FONO-DINAMICO L.80 sound-dynamic panel w 80 cms	4	€ 138,00
175 976 *	PANNELLO FONO-DINAMICO L.100 sound-dynamic panel w 100 cms	4	€ 162,00
175 977 *	PANNELLO FONO-DINAMICO L.120 sound-dynamic panel w 120 cms	4	€ 167,00
175 978 *	PANNELLO FONO-DINAMICO L.140 sound-dynamic panel w 140 cms	4	€ 180,00
175 979 *	PANNELLO FONO-DINAMICO L.160 sound-dynamic panel w 160 cms	4	€ 182,00
175 980 *	PANNELLO FONO-DINAMICO L.180 sound-dynamic panel w 180 cms	4	€ 214,00
175 992 *	KIT 2 MORSETTI PER PANNELLO FRONTALE set of 2 clamps for front panel	A 4	€ 61,00
175 993 *	KIT 2 MORSETTI PER PANNELLO TERMINALE (PER PIANI SP.MM 18) set of 2 clamps for end panel (for desktop with thick.18mm)	B 4	€ 64,00
175 994 *	KIT 2 MORSETTI PER PANNELLO TERMINALE (PER PIANI SP.MM 25) set of 2 clamps for end panel (for desktop with thick.18mm)	B 4	€ 65,00
175 995 *	KIT 2 MORSETTI PER PANNELLO CENTRALE PER SCRIVANIE IN LINEA set of 2 clamps for central panes for desk in line	C 4	€ 68,00
175 996 *	KIT 2 MORSETTI PER PANNELLO CENTRALE PER BENCH set of 2 clamps for central panel for bench	D 4	€ 51,00

OYO

ACCESSORI
accessories



IMPORTANTE / it's very important

SULL'ORDINE INDICARE SEMPRE IL CODICE COMPLETO A 9 CIFRE
always indicate on the order the complete 9-digit code

ESEMPIO: PER ORDINARE 1 LAMPADA **ART.753** ARGENTO INDICARE IL CODICE =
example: to order 1 LAMP **ART.753** WENGE indicate the code =

175 | **753** | **000**

DECODIFICA → MODELLO | ARTICOLO | CODICE FINITURA (*)
decoding → model | art.cdc | finish code (*)

LE MISURE IN INCHES SONO APPROSSIMATE
the dimensions in inches are approximate

In vigore dal:
Valid from:
01/07/2018
Valido fino a nuova emissione
Valid until new emission

SOMMARIO / summary

CARTELLA COLORI PER PANNELLI FRONTALI	3
<i>colours samples card for front panel</i>	
PANNELLI FRONTALI CON CAVA ATTREZZABILE	5
<i>front panels with accessories toolbars</i>	
ACCESSORI PER PANNELLI FRONTALI (per art. da 483 a 496)	5
<i>accessories for front panels (for art. from 483 till 496)</i>	
PORTA PC-TOWER e COMPLEMENTI PER UFFICIO	8
<i>PC-tower supports and complements for office</i>	
REGGI-CARTELLE e RIPIANI IN METALLO PER CONTENITORI	10
<i>folder-supports and metal shelves for cabinets</i>	
ADATTATORI REGGI-CARTELLE PER CLASSIFICATORI e COMPLEMENTI PER CONTENITORI	11
<i>file support fits for file-drawers and complements for cabinets</i>	
KIT CILINDRO SERRATURA PER CHIAVI UGUALI	12
<i>cylinder lock kit for keys alike</i>	
STAFFE	12
<i>stirrups</i>	
PASSACAVI, FRESE PER FORATURA E PRESA AD INCASSO	13
<i>cable-way, millers for holes and built-in socket</i>	
CANALINE PER ELETRIFICAZIONE	14
<i>channeled bar for desks</i>	
CANALI PORTACAVI E KIT PER ELETRIFICAZIONE	15
<i>cable trays and electrification kit</i>	
KIT ELETRIFICAZIONE tipo K1 (BACHMANN)	16
<i>electrification kit type K1 (by Bachmann)</i>	
KIT ELETRIFICAZIONE tipo K2 (BACHMANN)	16
<i>electrification kit type K2 (by Bachmann)</i>	
MODULI PERSONALIZZABILI (BACHMANN)	16
<i>customizable modules (by Bachmann)</i>	
KIT ELETRIFICAZIONE tipo Y3	17
<i>electrification kit type Y3</i>	
SCHEMA DI UTILIZZO KIT ELETRIFICAZIONE	17
<i>scheme of use electrification kit</i>	
INDICE DEI CODICI	18
<i>codes index</i>	

CARTELLA COLORI PER PANNELLI FRONTALI

colours samples card for front panel



COD. 01
ARGENTO GOLF | GOLF SILVER ○



COD. 06
NOCE PAVIA | PAVIA WALNUT ○



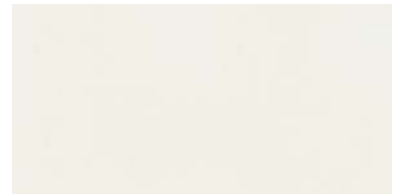
COD. 55
ANTRACITE | ANTHRACITE ○



COD. 03
ROVERE | OAK ○



COD. 44
STONE GREY | STONE GREY ○



COD. 69
BIANCO BR. | BR. WHITE ○

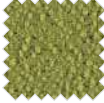
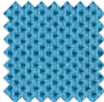






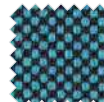
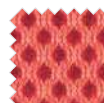
COD. 04
ROVERE GREY | GREY OAK ○

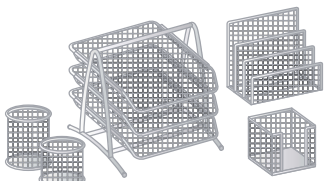
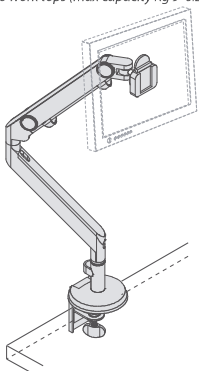
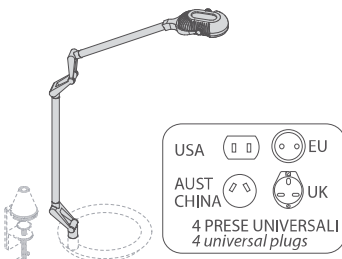
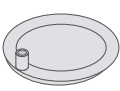
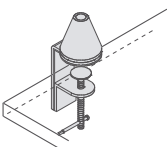


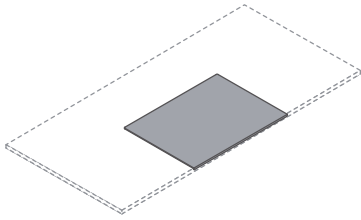
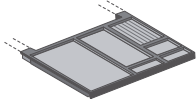
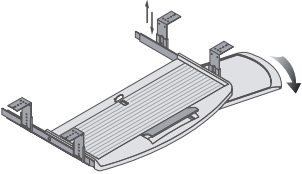
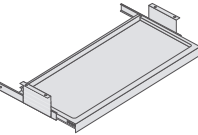
COD. 45
WENGÉ | WENGÉ ○

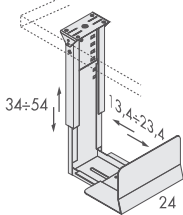
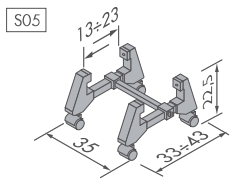
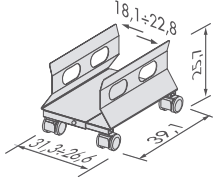

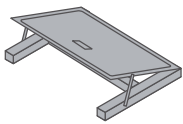
(*) RIEPILOGO CODICI TAPPEZZERIA | FABRICS CODES

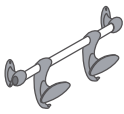
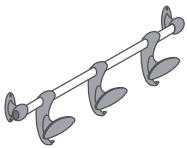

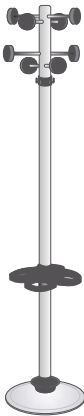
CATEGORY	CODE	(*)	COLORE	COLOUR
CAT. B				
CREPE				
	---	---	522	GRIGIO PERLA LIGHT GREY
	---	---	523	GRIGIO SCURO DARK GREY
	---	---	524	NERO BLACK
	---	---	525	AVORIO IVORY
	---	---	526	NOCCIOLA HAZEL
	---	---	527	MALTO MALT
	---	---	528	VERDE ACIDO ACID GREEN
	---	---	529	PETROLIO PETROLEUM
	---	---	530	ARTICO ARCTIC
	---	---	531	CELESTE LIGHT BLUE
	---	---	532	COBALTO COBALT
	---	---	533	BLU BLUE
	---	---	534	GIALLO YELLOW
	---	---	535	ARANCIO ORANGE
---	---	536	VINACCIO WINE RED	
---	---	537	ROSSO RED	
---	---	538	PRUGNA PLUM	
CAT. D				
STRETCH				
	---	---	585	AVORIO IVORY
	---	---	586	GRIGIO GREY
	---	---	587	ANTRACITE ANTHRACITE
	---	---	588	NERO BLACK
	---	---	589	TORTORA GREY BEIGE
	---	---	590	MARRONE BROWN
	---	---	591	VERDE ACIDO ACID GREEN
	---	---	592	VERDE BOSCO WOOD GREEN
	---	---	593	AZZURRO SKY SKY BLUE
	---	---	594	BLU BLUE
	---	---	595	GIALLO FRESIA FREESIA YELLOW
	---	---	596	ARANCIO ORANGE
	---	---	597	ROSSO RED
	---	---	598	AMARANTO AMARANTH
MELANGE				
	---	---	603	CENERE ASH
	---	---	604	GRIGIO GREY
	---	---	605	FUMO SMOKE
	---	---	606	TORTORA GREY BEIGE
	---	---	607	NOCCIOLA HAZEL
	---	---	608	VERDE ACIDO ACID GREEN
	---	---	609	MUSCHIO MOSS GREEN
	---	---	610	VERDONE DARK GREEN
	---	---	611	ARTICO ARCTIC
	---	---	612	AZZURRO AZURE
	---	---	613	COBALTO COBALT
	---	---	614	PETUNIA PETUNIA
	---	---	615	RIBES CURRANT
	---	---	616	GRANATA GARNET
TREVI				
	---	---	621	GRIGIO GREY
	---	---	622	PORFIDO PORPHYRY
	---	---	623	GRIGIO SCURO DARK GREY
	---	---	624	NERO BLACK
	---	---	625	TORTORA GREY BEIGE
	---	---	626	NOCCIOLA HAZEL
	---	---	627	MARRONE BROWN
	---	---	628	VERDE ACIDO ACID GREEN
	---	---	629	PETROLIO PETROLEUM
	---	---	630	CELESTE LIGHT BLUE
	---	---	631	PERVINCA PERIWINKLE
	---	---	632	BLU BLUE
	---	---	633	OCRA OCHER
	---	---	634	MATTONE BRICK RED
---	---	635	PETUNIA PETUNIA	
---	---	636	ROSSO RED	
---	---	637	AMARANTO AMARANTH	

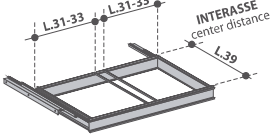
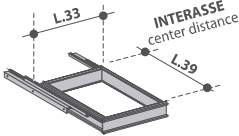
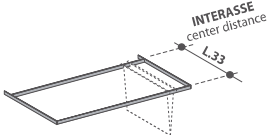
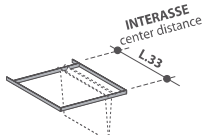
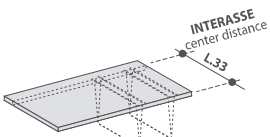
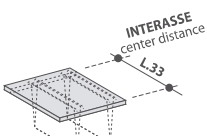
CATEGORY	CODE	(*)	COLORE	COLOUR
CAT. E				
LANA				
	---	---	642	GRIGIO CHIARO LIGHT GREY
	---	---	643	GRIGIO SCURO DARK GREY
	---	---	644	FUMO SMOKE
	---	---	645	TORTORA GREY BEIGE
	---	---	646	MARRONE BROWN
	---	---	647	VERDE ACIDO ACID GREEN
	---	---	648	MUSCHIO MOSS GREEN
	---	---	649	ARTICO ARCTIC
	---	---	650	MALIBU' MALIBU
	---	---	651	PERVINCA PERIWINKLE
	---	---	652	AVIO NAVY BLUE
	---	---	653	RUGGINE RUSSET
	---	---	654	MATTONE BRICK RED
	---	---	655	FUOCO FIRE RED
CAT. F				
TAYLOR BY FLUKSO				
	---	---	689	MARNA MARL
	---	---	690	GRIGIO SCURO DARK GREY
	---	---	691	GRAFITE GRAPHITE
	---	---	692	NERO BLACK
	---	---	693	TORTORA GREY BEIGE
	---	---	694	TABACCO TOBACCO
	---	---	695	OLIVA OLIVE
	---	---	696	PETROLIO PETROLEUM
	---	---	697	AVIO NAVY BLUE
	---	---	698	BLU NOTTE NIGHT BLUE
	---	---	699	OCRA OCHER
	---	---	700	MATTONE BRICK RED
	---	---	701	PRUGNA PLUM
	---	---	702	ROSSO RED
---	---	703	VINACCIO WINE RED	
CAT. G				
GO CHECK BY GABRIEL				
	---	---	736	GRIGIO GREY
	---	---	737	NERO BLACK
	---	---	738	BEIGE BEIGE
	---	---	739	FANGO MUD
	---	---	740	CACAO COCOA
	---	---	741	VERDE GREEN
	---	---	742	PRATO LAWN
	---	---	743	BOTTIGLIA BOTTLE
	---	---	744	AZZURRO AZURE
	---	---	745	TURCHESE TURQUOISE
	---	---	746	MARE SEA
	---	---	747	BLU BLUE
	---	---	748	GIALLO YELLOW
	---	---	749	ARANCIO ORANGE
---	---	750	PESCA PEACH	
---	---	751	ROSSO RED	
---	---	752	AMARANTO AMARANTH	
RUNNER BY GABRIEL				
	---	---	757	BIANCO WHITE
	---	---	758	ACCIAIO STEEL
	---	---	759	GRAFITE GRAPHITE
	---	---	760	NERO BLACK
	---	---	761	BEIGE BEIGE
	---	---	762	MARRONE BROWN
	---	---	763	VERDE GREEN
	---	---	764	PRATO LAWN
	---	---	765	TURCHESE TURQUOISE
	---	---	766	MARE SEA
	---	---	767	ARANCIO ORANGE
	---	---	768	ROSSO RED

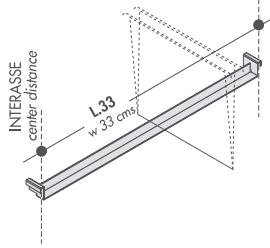

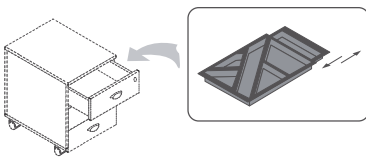
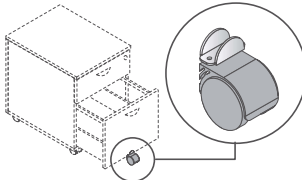
COMPLEMENTI PER SCRIVANIE complements for desks							
DESCRIZIONE description	L w	CODICE code	KG	M ³	COLLI	PREZZO price	(*) CODICE FINITURA (*) finish code
<p>ACCESSORI SCRIVANIA desk accessories</p> 		175 181 (*)	0,2	0,030	1	€ 51,00	(*) 000 ARGENTO silver
<p>BRACCIO SNODATO PORTA-VIDEO CON MORSETTO PER ANCORAGGIO A PIANI DI LAVORO (PORTATA MAX. KG 9- DIMENSIONI DA 15" A 23") articulated rotating video stand arm+clamp for fixing to work tops (max capacity Kg 9- sizes 15"-23")</p> 		175 362 (*)	3	0,006	1	€ 263,00	
<p>LAMPADA A LED - 5 Watt (con 4 prese universali intercambiabili) led lamp - 5 Watt (4 interchangeable plugs)</p>  <p>MORSETTO O BASE clamp or base</p> <p>← →</p>		175 753 (*)	0,8	0,002	1	€ 387,00	(*) 000 ARGENTO silver
	<p>COMPLETARE SEMPRE CON BASE ART.349 OPPURE MORSETTO ART.361 always complete with base art.349 or clamp art.361</p>						
<p>BASE PER LAMPADA ART.753 base for lamp art.753</p>  <p>Ø 23</p>		175 349 (*)	1	0,002	1	€ 55,00	
<p>MORSETTO PER ANCORAGGIO LAMPADA ART.753 A PIANI DI LAVORO clamp for fixing lamp art.753 to work tops</p>  <p>L.6 x p.7 x H.16</p>		175 361 (*)	0,5	0,002	1	€ 38,00	

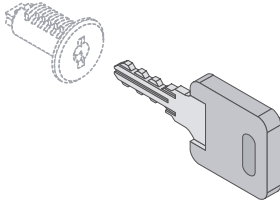
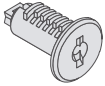
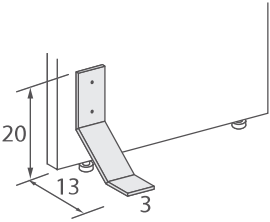
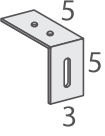
COMPLEMENTI PER SCRIVANIE complements for desks							
DESCRIZIONE description	L w	CODICE code	KG	M ³	COLLI	PREZZO price	(*) CODICE FINITURA (*) finish code
SOTTOMANO IN POLIURETANO PER SCRIVANIE polyurethane desk pad  L.80 x p.60 x H.0,5	L.80	175 307 (*)	2	0,012	1	€ 224,00	(*) 500 NERO black
CASSETTO IN PLASTICA PORTA-CANCELLERIA SOTTOPIANO stationery plastic drawers under the desk top  L.54 x p.39 x H.4		175 188 (*)	4	0,014	1	€ 86,00	(*) 500 NERO black
PORTA-TASTIERA ESTRAIBILE L.56 REGOLABILE IN ALTEZZA COMPLETO DI MENSOLA PORTA-MOUSE w 56 cms pull-out keyboard tray height adjustable with mouse-holder shelf  MAX INGOMBRO cm 44 cm 27 AREA TASTIERA cm 53 cm 19 MAX INGOMBRO cm 56 MAX SIZE w 56 cms cm 20		175 082 (*)	3	0,011	1	€ 61,00	(*) 300 GRIGIO grey
PORTA-TASTIERA ESTRAIBILE L.58 w 58 cms pull-out keyboard tray  S09/R-58 MAX INGOMBRO cm 36 cm 29 AREA TASTIERA cm 58 MAX INGOMBRO cm 66 MAX SIZE w 66 cms cm 34		175 222 (*)	4	0,025	1	€ 102,00	(*) 000 ARGENTO silver 500 NERO black



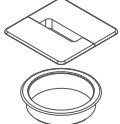
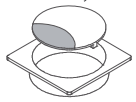
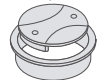



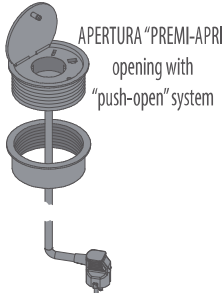
PORTA PC-TOWER e COMPLEMENTI PER UFFICIO							
PC-tower supports and complements for office							
DESCRIZIONE description	L w	CODICE code	KG	M ³	COLLI	PREZZO price	(*) CODICE FINITURA (*) finish code
<p>SUPPORTO PER PC-TOWER SOTTOPIANO REGOLABILE undertop support adjustable sizes for PC-tower</p>  <p>LARGHEZZA INTERNA VARIABILE DA 13,4 A 23,4 cm adjustable internal width from 13,4 to 23,4 cms</p> <p>L.16,4 ÷ 26,4 x p.24 x H.34 ÷ 54</p>		175 081 (*)	4,6	0,012	1	€ 88,00	(*) 000 ALLUMINIO aluminium
<p>SUPPORTO PER PC-TOWER CON RUOTE trolley with wheels for vertical PC-tower</p>  <p>LARGHEZZA INTERNA VARIABILE DA 13 A 23 cm adjustable internal width from 13 to 23 cms</p> <p>L.33 ÷ 43 x p.35 x H.22,5</p>		175 050 (*)	3	0,009	1	€ 83,00	(*) 500 NERO black
<p>SUPPORTO PER PC-TOWER CON RUOTE trolley with wheels for vertical PC-tower</p>  <p>LARGHEZZA INTERNA VARIABILE DA 18,1 A 22,8 cm adjustable internal width from 18,1 to 22,8 cms</p> <p>L.31,3 ÷ 26,6 x p.39,1 x H.25,7</p>		175 217 (*)	4	0,036	1	€ 62,00	(*) 000 ARGENTO silver 450 BIANCO white 551 ANTRACITE anthracite 844 STONE GREY stone grey
<p>CESTINO wastebasket</p>  <p>Ø29,5 x H.34,5</p>		175 180 (*)	0,2	0,020	1	€ 19,00	(*) 000 ARGENTO silver
<p>POGGIAPIEDI foot-rest</p>  <p>L.45 x p.35 x H.9-12</p>		175 161 (*)	6	0,010	1	€ 60,00	(*) 500 NERO black

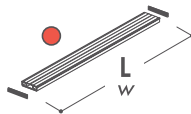


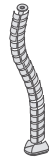

COMPLEMENTI PER UFFICIO complements for office							
DESCRIZIONE description	L w	CODICE code	KG	M ³	COLLI	PREZZO price	(*) CODICE FINITURA (* finish code)
PORTA-ABITI 2 POSTI (2 hooks) clothes hanger  L.35		175 172 (*)	0,7	0,003	1	€ 66,00	
PORTA-ABITI 3 POSTI (3 hooks) clothes hanger  L.52		175 173 (*)	1	0,005	1	€ 83,00	
PORTA-ABITO A STELO clothes-tree  Ø 34 x H.170		175 182 (*)	7	0,028	1	€ 151,00	(*) 500 NERO - CROMATO black - chromed
PORTA-ABITO A STELO clothes-tree  Ø 36 x H.178		175 183 (*)	7	0,028	1	€ 110,00	

REGGI-CARTELLE e RIPIANI IN METALLO PER CONTENITORI							
folder-supports and metal shelves for cabinets							
DESCRIZIONE description	L w	CODICE code	KG	M ³	COLLI DCS	PREZZO price	(*) CODICE FINITURA (* finish code)
REGGI-CARTELLE ESTRAIBILE PER MOBILI L.90 <i>pull-out folders support for cabinets w 90 cms</i>  L.86,3 x p.41,5 x H.8,5		175 096 (*)	4	0,039	1	€ 139,00	
REGGI-CARTELLE ESTRAIBILE PER MOBILI L.45 <i>pull-out folders support for cabinets w 45 cms</i>  L.41,3 x p.41,5 x H.8,5		175 097 (*)	3	0,020	1	€ 118,00	
REGGI-CARTELLE FISSO PER MOBILI L.90 <i>fixed folders support for cabinets w 90 cms</i>  L.86,3 x p.37,8 x H.2		175 098 (*)	3	0,014	1	€ 42,00	(*) 500 NERO black
REGGI-CARTELLE FISSO PER MOBILI L.45 <i>fixed folders support for cabinets w 45 cms</i>  L.41,3 x p.37,8 x H.2		175 099 (*)	2	0,006	1	€ 30,00	
RIPIANO IN METALLO PER MOBILI L.90 <i>metal shelf for cabinets w 90 cms</i>  L.86,2 x p. 40,6 x H.2,5		175 131 (*)	4	0,018	1	€ 46,00	(*) 000 ARGENTO silver 450 BIANCO white 551 ANTRACITE anthracite 844 STONE GREY stone grey
RIPIANO IN METALLO PER MOBILI L.45 <i>metal shelf for cabinets w 45 cms</i>  L.41,2 x p. 40,6 x H.2,5		175 132 (*)	2	0,009	1	€ 35,00	

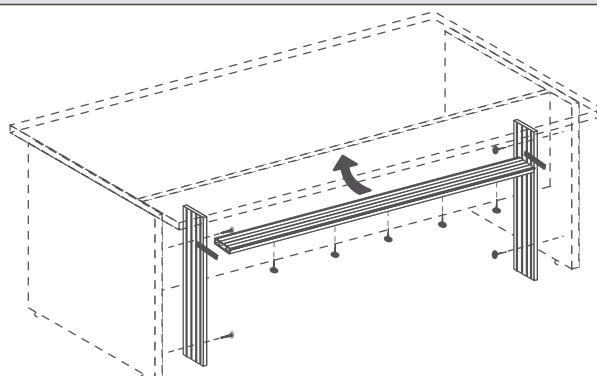
ADATTATORI REGGI-CARTELLE PER CLASSIFICATORI e COMPLEMENTI PER CONTENITORI file support fits for file-drawers and complements for cabinets																									
DESCRIZIONE description	L w	CODICE code	KG	M ³	COLLI	PREZZO price	(*) CODICE FINITURA (*) finish code																		
1 ADATTATORE PER CLASSIFICATORI (PER VARI FORMATI DI CARTELLE) 1 fit for file-drawers (for different files sizes)  L.33		175 137 (*)	0,2	0,001	1	€ 11,00	(*)																		
	PER UTILIZZO VEDI SCHEMA SOTTO for using , please see scheme below						500	NERO black																	
SU CASSETTIERE CON CASSETTI IN METALLO <i>on pedestal with metal drawers</i>																									
							<table border="1"> <thead> <tr> <th>POS.</th> <th>TIPO DI CARTELLA type of folder</th> <th>INTERASSE CENTER DISTANCE (cm)</th> </tr> </thead> <tbody> <tr> <td>A</td> <td>GRANDE EUROPA big Europe</td> <td>cm 39</td> </tr> <tr> <td>B</td> <td>PICCOLA EUROPA little Europe</td> <td>cm 33</td> </tr> <tr> <td>C</td> <td>GRANDE U.S.A. big U.S.A.</td> <td>cm 38,5</td> </tr> <tr> <td>D</td> <td>PICCOLA U.S.A. little U.S.A.</td> <td>cm 31</td> </tr> <tr> <td>E</td> <td>GRANDE CILE big Chile</td> <td>cm 37,2</td> </tr> </tbody> </table>  = CON DOTAZIONE STANDARD ARCHIVIAZIONE EUROPEA = European filing by standard outfit	POS.	TIPO DI CARTELLA type of folder	INTERASSE CENTER DISTANCE (cm)	A	GRANDE EUROPA big Europe	cm 39	B	PICCOLA EUROPA little Europe	cm 33	C	GRANDE U.S.A. big U.S.A.	cm 38,5	D	PICCOLA U.S.A. little U.S.A.	cm 31	E	GRANDE CILE big Chile	cm 37,2
POS.	TIPO DI CARTELLA type of folder	INTERASSE CENTER DISTANCE (cm)																							
A	GRANDE EUROPA big Europe	cm 39																							
B	PICCOLA EUROPA little Europe	cm 33																							
C	GRANDE U.S.A. big U.S.A.	cm 38,5																							
D	PICCOLA U.S.A. little U.S.A.	cm 31																							
E	GRANDE CILE big Chile	cm 37,2																							
PORTA CANCELLERIA INTERNO PER CASSETTIERA <i>internal stationery holder for drawers</i>  L.32,5-45 x p.22 x H.2,5		175 186 (*)	1	0,004	1	€ 18,00	(*)																		
							500 NERO black																		
5a RUOTA OPZIONALE PER CASSETTIERA-CLASSIFICATORE <i>fifth optional wheel for file-pedestal</i> 		175 105 (*)	1	0,001	1	€ 13,00	(*)																		
							<table border="1"> <thead> <tr> <th></th> <th>PIASTRINO plate</th> <th>RUOTA wheels</th> </tr> </thead> <tbody> <tr> <td>000</td> <td>ARGENTO silver</td> <td>NERA black</td> </tr> <tr> <td>300</td> <td>ARGENTO silver</td> <td>GRIGIA grey</td> </tr> </tbody> </table>		PIASTRINO plate	RUOTA wheels	000	ARGENTO silver	NERA black	300	ARGENTO silver	GRIGIA grey									
	PIASTRINO plate	RUOTA wheels																							
000	ARGENTO silver	NERA black																							
300	ARGENTO silver	GRIGIA grey																							

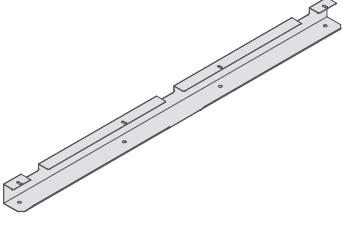
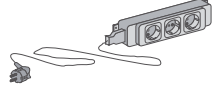
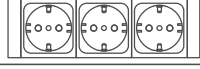
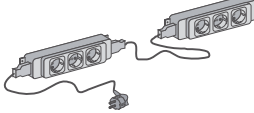
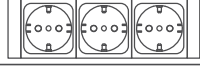

KIT CILINDRO SERRATURA PER CHIAVI UGUALI								
cylinder lock kit for keys alike								
DESCRIZIONE description	L w	CODICE code	KG	M ³	COLLI	PREZZO price	(*) CODICE FINITURA (*) finish code	
CHIAVE PER ESTRAZIONE CILINDRO SERRATURA key for extraction cylinder lock 		171 058 (*)	0,1	0,001	1	€ 10,00		
CILINDRO SERRATURA ESTRAIBILE PER CHIAVI UGUALI + 2 CHIAVI PIEGHEVOLI extractable cylinder lock for keys alike + 2 folding keys  ATTENZIONE! PER L'ESTRAZIONE DEL CILINDRO, OCCORRE SEMPRE UTILIZZARE LA CHIAVE ART.058 attention! for extraction of the cylinder, always use the key art.058		171 059 (*)	0,1	0,001	1	€ 9,00	(*) 999 ZINCATO zinc plated	
	PER TUTTE LE ANTE LEGNO, VETRO, CASSETTIERE E MOBILI for all wooden doors, glass doors, pedestals and cabinets							
STAFFE stirrups								
PIEDE STABILIZZATORE (OPTIONAL) stabilizer foot (optional)  L.6 x p.13 x H.20		175 545 (*)	1	0,003	1	€ 22,00		
SET 4 STAFFE PER FISSAGGIO PANNELLI SOTTO PIANI SCRIVANIE (OPTIONAL) set of 4 brackets for fixing panels under desk tops (optional)  L.3 x p.5 x H.5		175 546 (*)	1	0,001	1	€ 19,00	(*) 000 ARGENTO silver	

PASSACAVI, FRESE PER FORATURA E PRESA AD INCASSO cable-way, millers for holes and built-in socket							
DESCRIZIONE description	L w	CODICE code	KG	M ³	COLLI	PREZZO price	(*) CODICE FINITURA (*) finish code
PASSACAVO Ø 60 mm cable-way Ø 60 mm- 		175 791 (*)	1	0,001	1	€ 12,00	
							(*)
PUNTA AL WIDIA Ø 60 mm PER PASSACAVO drill widia Ø 60 mm for cable-way 		175 792 (*)	1	0,001	1	€ 148,00	500 NERO black
PASSACAVO Ø 80 mm cable-way Ø 80 mm 		175 787 (*)	0,6	0,001	1	€ 23,00	(*)
							450 BIANCO white
							551 ANTRACITE anthracite
							844 STONE GREY stone grey
PASSACAVO IN METALLO Ø 80 mm metal cable-way Ø 80 mm 		175 788 (*)	0,6	0,001	1	€ 31,00	(*)
							000 CROMATO chromed
							450 BIANCO white
							500 NERO black
PASSACAVO Ø 80 mm cable-way Ø 80 mm 		175 793 (*)	1	0,002	1	€ 15,00	(*)
							999 TRASPARENTE transparent
PUNTA AL WIDIA Ø 80 mm PER PASSACAVO drill widia Ø 80mm for cable-way 		175 794 (*)	1	0,002	1	€ 166,00	
							(*)
							500 NERO black
PASSACAVO Ø 80 mm cable-way Ø 80 mm 		175 795 (*)	1	0,002	1	€ 15,00	
PASSACAVO Ø 80 mm cable-way Ø 80 mm 		175 392 (*)	1,5	0,002	1	€ 54,00	(*)
							000 CROMATO chromed
PRESA AD INCASSO Ø80MM (CON CAVO DI ALIMENTAZIONE L.300 E PRESA STANDARD SCHUKO) built in socket Ø 80 mm (power cable of w 3 lmt. and SCHUKO standard socket)  APERTURA "PREMI-APRI" opening with "push-open" system NON DISPONIBILE PER MERCATO U.S.A. not available for US market		175 111 (*)	1	0,008	1	€ 73,00	(*)
							500 NERO black
							1 PRESA STANDARD SCHUKO 1 KIT DATI RJ45 CAT.6 1 USB 1 SCHUKO standard socket 1 data kit RJ45 Cat.6 1 USB

CANALINE PER ELETTTRIFICAZIONE channeled bar for desks									
DESCRIZIONE description	L w	L w	CODICE code	KG	M ³	COLLI	PREZZO price	(*) CODICE FINITURA (*) finish code	
CANALINA ELETTTRIFICAZIONE SOTTOPIANO PER SCRIVANIA <i>channeled bar for desk top</i> 	CANALINA <small>canalina</small>	PER SCRIVANIE L. for desks w							
	L.79,6	L.80	175 413 (*)	1	0,001	1	€ 19,00		
	L.89,6	L.90	175 428 (*)	1	0,001	1	€ 20,00		
	L.119,6	L.120	175 414 (*)	1	0,001	1	€ 23,00		
	L.129,6	L.130	175 429 (*)	1	0,001	1	€ 28,00		
	L.139,6	L.140	175 415 (*)	2	0,002	1	€ 29,00		
	L.159,6	L.160	175 416 (*)	2	0,003	1	€ 29,00		
	L.179,6	L.180	175 417 (*)	3	0,004	1	€ 31,00		
(*)									
500 NERO black									
CANALINA ELETTTRIFICAZIONE PER ANGOLO 90° <i>channeled bar for 90° segment</i> 			175 423 (*)	2	0,002	1	€ 21,00		
	(DA TAGLIARE A MISURA SECONDO IL MODELLO) (to be cut at measure according to the model)								
	L.123								
CANALINA PER SALITA SU FIANCO SCRIVANIA <i>channeled bar for final side-panels desk</i> 		H.72,5	175 418 (*)	1	0,001	1	€ 17,00		
	(DA TAGLIARE A MISURA SECONDO IL MODELLO) (to be cut at measure according to the model)								
	500 NERO black								
VERTEBRA A 2 VIE <i>2 ways rising channel</i> 		H.73	175 424 (*)	1	0,006	1	€ 42,00		
	(*)								
	000 ARGENTO silver 500 NERO black								
VERTEBRA "KUADRA" mm60x40 <i>"KUADRA" rising channel 60x40 mm</i> 		H.73	175 425 (*)	0,5	0,006	1	€ 59,00		
		H.128	175 426 (*)	0,5	0,006	1	€ 75,00		
	(*)								
	000 ARGENTO silver 450 BIANCO white								

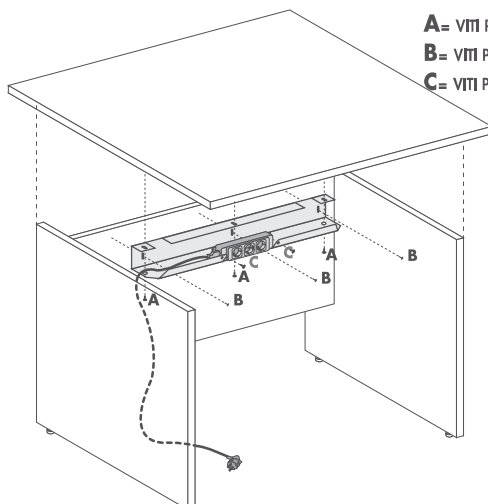
SCHEMA DI MONTAGGIO CANALINE
assembling scheme of channeled bars



CANALI PORTACAVI E KIT PER ELETRIFICAZIONE								
cable trays and electrification kit								
DESCRIZIONE description	L w	CODICE code	KG	M ³	COLLI PCS	PREZZO price	(*) CODICE FINITURA (*) finish code	
CANALI PORTACAVI IN LAMIERA PER SCRIVANIE O PARETINE sheet metal cable trays for desks or partition panels  L. x p. 10,3 x H. 7,7	L48	175 451 (*)	1,2	0,008	1	€ 18,00	(*) 000 ARGENTO silver 450 BIANCO white 551 ANTRACITE anthracite 844 STONE GREY stone grey	
	L58	175 452 (*)	1,2	0,008	1	€ 18,00		
	L68	175 453 (*)	1,2	0,008	1	€ 19,00		
	L78	175 454 (*)	1,3	0,014	1	€ 21,00		
	L88	175 455 (*)	1,4	0,011	1	€ 22,00		
	L108	175 456 (*)	1,5	0,014	1	€ 25,00		
	L128	175 457 (*)	1,6	0,021	1	€ 31,00		
	L148	175 458 (*)	1,8	0,021	1	€ 34,00		
	L168	175 459 (*)	2	0,021	1	€ 38,00		
	KIT ELETRIF. SINGOLO CON PRESE E CAVO DI ALIMENTAZIONE L.200 single electrif. kit with sockets and power cable w 200 cms  NON DISPONIBILE PER MERCATO U.S.A. not available for US market		175 899 (*)	1,5	0,010	1		€ 86,00
 3 PRESE STANDARD ITALIA GERMANIA(SCHUKO) 3 Italia/Germany (SCHUKO) standard sockets								
		175 895 (*)	1,5	0,010	1	€ 160,00		
KIT ELETRIF. DOPPIO CON PRESE SCHUKO E CAVO DI ALIMENTAZIONE L.200 double electrif. kit with SCHUKO sockets and power cable w 200 cms  NON DISPONIBILE PER MERCATO U.S.A. not available for US market		175 900 (*)	1	0,006	1	€ 160,00	(*) 500 NERO black	
	 6 PRESE STANDARD ITALIA GERMANIA(SCHUKO) 6 Italia/Germany (SCHUKO) standard sockets							
KIT PROLUNGA L.200 CON PRESA ENTRATA/1 USCITA extension kit of w 200 cms with an input-and-out-put-plug  NON DISPONIBILE PER MERCATO U.S.A. not available for US market		175 901 (*)	0,5	0,002	1	€ 30,00		

ESEMPIO DI UTILIZZO CANALI PORTA CAVI

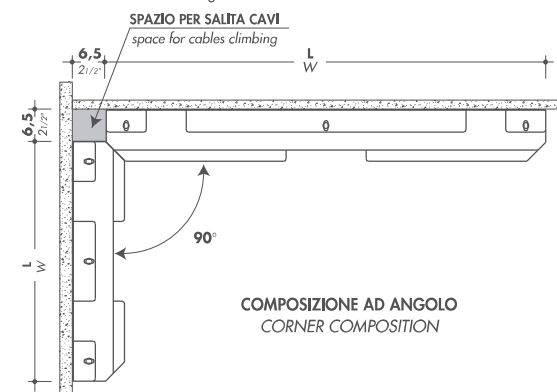
Examples for using cable trays




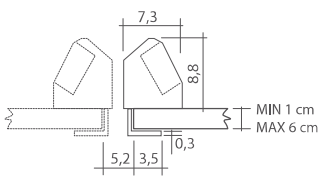
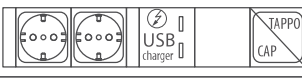

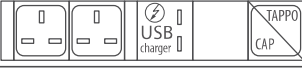
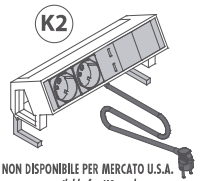
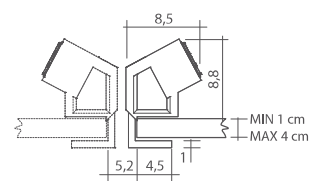
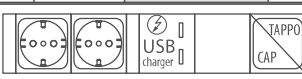
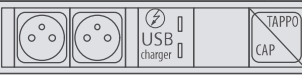
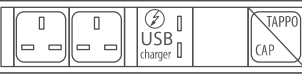
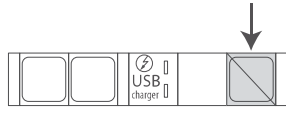



A= VITI PER FISSAGGIO SOTTO-PIANO / screws for fixing under-top

B= VITI PER FISSAGGIO SU SCHIENA O PARETINA / screws for fixing on back panel or partition wall

C= VITI PER FISSAGGIO KIT ELETRIFICAZIONE / screws for fixing electrification kit

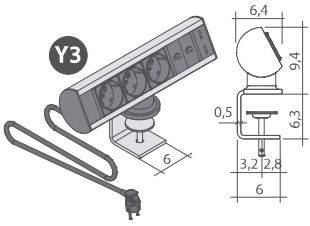


COMPOSIZIONE AD ANGOLO
CORNER COMPOSITION

KIT ELETRIFICAZIONE tipo K1 (BACHMANN) electrification kit type K1 (by Bachmann)							BACHMANN			
DESCRIZIONE description	L w	CODICE code	KG	M ³	COLLI	PREZZO price	(*) CODICE FINITURA (*) finish code			
<p>1 KIT ELETRIFICAZIONE ORIZZONTALE CON MORSETTO PER FISSAGGIO A SCRIVANIA (CON CAVO DI ALIMENTAZIONE L.200 E PRESE STANDARD) CON 1 MODULO PERSONALIZZABILE OPTIONAL 1 electrification kit with fixing clamp on desktop (power cable of w 200 cms and standard sockets) with 1 customizable module (OPTIONAL)</p>  <p>NON DISPONIBILE PER MERCATO U.S.A. not available for US market</p>  <p>L.28,1 x p.7,3 x H.8,8</p>		175 117 (*)	1,5	0,010	2	€ 257,00				
		 <p>2 PRESE STANDARD ITALIA GERMANIA(SCHUKO)+2 CHARGER USB+1 TAPPO 2 Italia/Germany standard sockets+ 2 charger USB+1 cap</p>								
		175 118 (*)	1,5	0,010	2	€ 243,00				
		 <p>2 PRESE STANDARD FRANCIA+2 CHARGER USB +1 TAPPO 2 France standard sockets + 2 charger USB + 1 cap</p>						(*)		
		000	ARGENTO	silver						
		175 119 (*)	1,5	0,010	2	€ 270,00				
	 <p>2 PRESE STANDARD INGLESI+2 CHARGER USB +1 TAPPO 2 BRITISH standard sockets + 2 charger USB +1 cap</p>									
KIT ELETRIFICAZIONE tipo K2 (BACHMANN) electrification kit type K2 (by Bachmann)							BACHMANN			
<p>1 KIT ELETRIFICAZIONE ORIZZONTALE CON MORSETTO PER FISSAGGIO A SCRIVANIA (CON CAVO DI ALIMENTAZIONE L.200 E PRESE STANDARD) CON 1 MODULO PERSONALIZZABILE OPTIONAL 1 electrification kit with fixing clamp on desktop (power cable of w 200 cms and standard sockets) with 1 customizable module (OPTIONAL)</p>  <p>NON DISPONIBILE PER MERCATO U.S.A. not available for US market</p>  <p>L.28,1 x p.8,5 x H.8,8</p>		175 120 (*)	1,5	0,010	2	€ 317,00				
		 <p>2 PRESE STANDARD ITALIA GERMANIA(SCHUKO)+2 CHARGER USB +1 TAPPO 2 Italia/Germany standard sockets + 2 charger USB + 1 cap</p>								
		175 121 (*)	1,5	0,010	2	€ 285,00				
		 <p>2 PRESE STANDARD FRANCIA+2 CHARGER USB +1 TAPPO 2 France standard sockets + 2 charger USB + 1 cap</p>						(*)		
		450	BIANCO	white						
	500	NERO	black							
		175 122 (*)	1,5	0,010	2	€ 343,00				
	 <p>2 PRESE STANDARD INGLESI+2 CHARGER USB +1 TAPPO 2 BRITISH standard sockets + 2 charger USB +1 cap</p>									
MODULI PERSONALIZZABILI (BACHMANN) customizable modules (by Bachmann)							BACHMANN			
<p>1 MODULO PERSONALIZZABILE 1 customizable module</p> <p>RIMUOVERE IL TAPPO IN DOTAZIONE E INSERIRE QUI IL MODULO REMOVE THE CAP AND INSERT THE MODULE HERE</p>  <p>L.4,5 x H.4,5</p>		 <p>1 RJ45 CAT.6</p>	175 123 (*)	0,5	0,001	1	€ 39,00			
		 <p>2 RJ45 CAT.6</p>	175 124 (*)	0,5	0,001	1	€ 73,00			
		 <p>1 RJ45 CAT.6 1 HDMI</p>	175 125 (*)	0,5	0,001	1	€ 73,00			
									(*)	
		500	NERO	black						

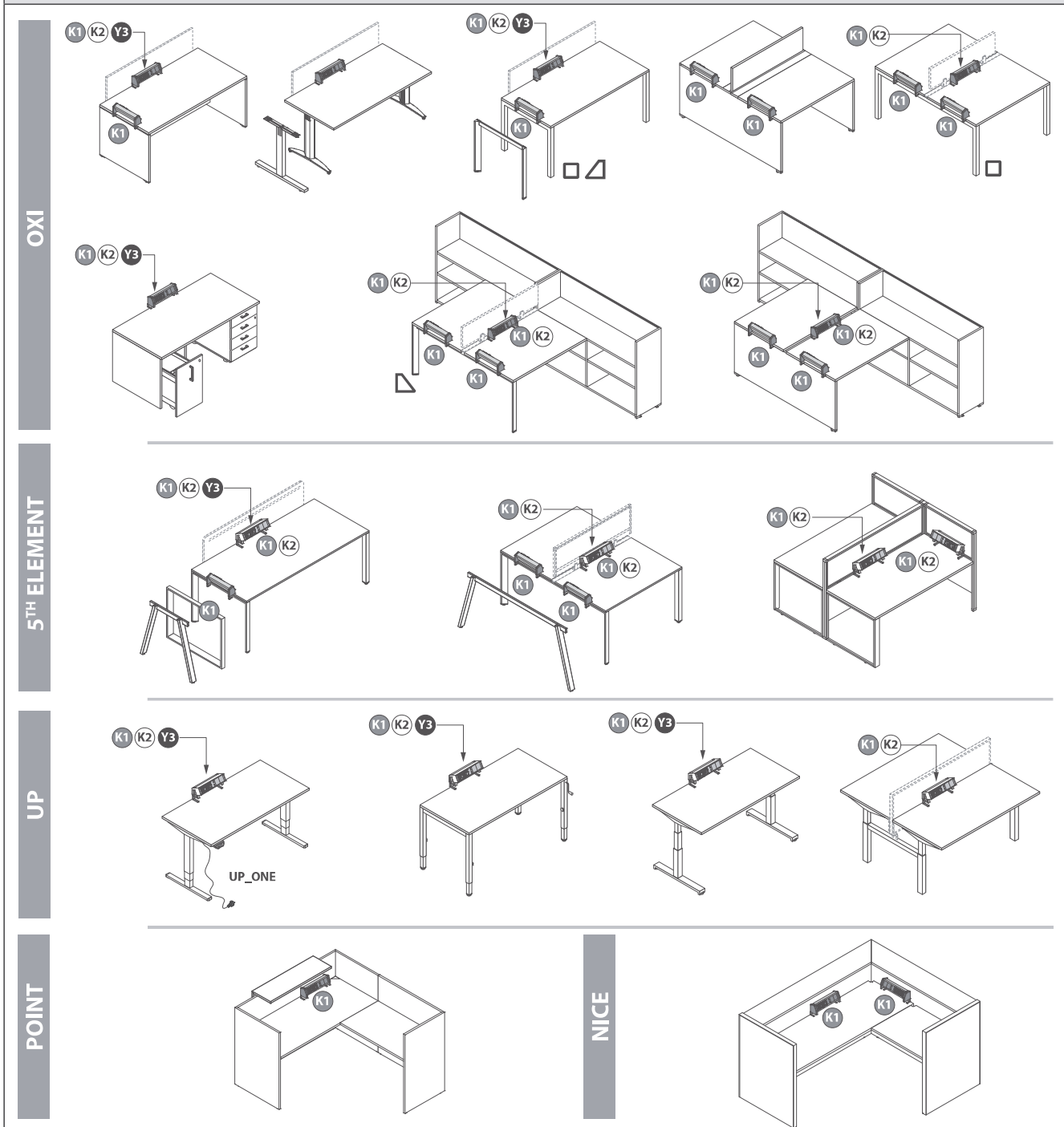
KIT ELETTTRIFICAZIONE tipo Y3

electrification kit type Y3

DESCRIZIONE description	CODICE code	KG	M ³	COLLI	PREZZO price	(*) CODICE FINITURA (* finish code)
<p>KIT ELETTTRIFICAZIONE ORIZZONTALE CON MORSETTO PER FISSAGGIO A SCRIVANIA (CON CAVO DI ALIMENTAZIONE L.300 E PRESE STANDARD) electrification kit with fixing clamp on desktop (power cable w 300 cms and standard sockets)</p>  <p>Y3</p> <p>NON DISPONIBILE PER MERCATO U.S.A. not available for US market</p> <p>L.26 x p.6,4 x H.9,4+6,3</p>	175 106 (*)	2	0,010	1	€ 144,00	
	<p>3 PRESE STANDARD ITALIA/GERMANIA (SCHUKO) 2 KIT DATI RJ45 CAT.6 + 2 USB 3 Italia/Germany standard sockets 2 data kit RJ45 Cat.6 + 2 USB</p>					
	175 107 (*)	2	0,010	1	€ 144,00	000 ARGENTO silver
	<p>3 PRESE STANDARD FRANCIA 2 KIT DATI RJ45 CAT.6 + 2 USB 3 France standard sockets 2 data kit RJ45 Cat.6 + 2 USB</p>					

SCHEMA DI UTILIZZO KIT ELETTTRIFICAZIONE

scheme of use electrification kit



INDICE DEI CODICI
codes index

* = INDICARE IL CODICE FINITURA
= complete with finish code

CODICE code	DESCRIZIONE description	PAG. page	Cat. B	Cat. D	Cat. E	Cat. F	Cat. G	PR1
			€	€	€	€	€	
			CREPE	STRETCH MELANGE TREVI	LANA	TAYLOR	GO CHECK RUNNER	
175 016 *	4 ELEMENTI PER SOVRAPPOSIZIONE DI VASCHE ART.353 set of 4 elements for superimposition of paper-holder art.353	5						19,00
175 050 *	SUPPORTO PER PC-TOWER CON RUOTE trolley with wheels for vertical PC-tower	8						83,00
175 081 *	SUPPORTO PER PC-TOWER SOTTOPIANO REGOLABILE undertop support adjustable for PC-tower	8						88,00
175 082 *	PORTA-TASTIERA ESTRAIBILE L.56 REGOLABILE IN ALTEZZA + PORTA-MOUSE pull-out keyboard tray height adjustable with mouse-holder shelf	7						61,00
175 096 *	REGGICARTELLE ESTRABILE L.90 pull-out folders support w 90 cms	10						139,00
175 097 *	REGGICARTELLE ESTRABILE L.45 pull-out folders support w 45 cms	10						118,00
175 098 *	REGGICARTELLE FISSO L.90 fixed folders support w 90 cms	10						42,00
175 099 *	REGGICARTELLE FISSO L.45 fixed folders support w 45 cms	10						30,00
175 105 *	5° OPZIONALE NERA PER CASSETTIERA CLASSIFICATORE fifth optional black wheel for file-pedestal	11						13,00
175 106 *	3 PRESE ITALIA/GERMANIA SCHUKO+ 2 RJ45 CAT.6 + 2USB 3 Italy/Germany SCHUKO sockets+2 RJ45 CAT. 6 + 2 USB	Y3	17					144,00
175 107 *	3 PRESE FRANCIA + 2 RJ45 CAT. 6 + 2 USB 3 France sockets+2 RJ45 CAT. 6 + 2 USB	Y3	17					144,00
175 111 *	PRESA AD INCASSO Ø 80 MM CON 1 PRESA SCHUKO + 1 RJ45 CAT. 6 + 1 USB built in socket Ø 80 mm with 1 SCHUKO socket + 1 data kit RJ45 CAT. 6 + 1 USB	NERO black	13					73,00
175 117 *	2 PRESE ITALIA/GERMANIA SCHUKO+ 2 CHARGER USB + 1 TAPPO 2 Italy/Germany SCHUKO sockets+2 charger USB + 1 cap	K1	16					257,00
175 118 *	2 PRESE FRANCIA+ 2 CHARGER USB + 1 TAPPO 2 FRANCE sockets+2 charger USB + 1 cap	K1	16					243,00
175 119 *	2 PRESE INGLESI+ 2 CHARGER USB + 1 TAPPO 2 BRITISH sockets+2 charger USB + 1 cap	K1	16					270,00
175 120 *	2 PRESE ITALIA/GERMANIA SCHUKO+ 2 CHARGER USB + 1 TAPPO 2 Italy/Germany SCHUKO sockets+2 charger USB + 1 cap	K2	16					317,00
175 121 *	2 PRESE FRANCIA+ 2 CHARGER USB + 1 TAPPO 2 FRANCE sockets+2 charger USB + 1 cap	K2	16					285,00
175 122 *	2 PRESE INGLESI+ 2 CHARGER USB + 1 TAPPO 2 BRITISH sockets+2 charger USB + 1 cap	K2	16					343,00
175 123 *	1 RJ45 CAT.6		16					39,00
175 124 *	2 RJ45 CAT.6		16					73,00
175 125 *	1 RJ45 CAT.6 + 1 HDMI		16					73,00
175 131 *	RIPIANO IN METALLO PER MOBILI L.90 metal shelf for cabinets w 90 cms		10					46,00
175 132 *	RIPIANO IN METALLO PER MOBILI L.45 metal shelf for cabinets w 45 cms		10					35,00
175 137 *	ADATTATORI PER CLASSIFICATORI (PER VARI FORMATI DI CARTELLE) L.33 fits for file-drawer (for different folde sizes) w 33 cms		11					11,00
175 161 *	POGGIA-PIEDI foot-rest		8					60,00
175 172 *	PORTA-ABITI 2 POSTI (2 hooks) clothes hanger		9					66,00
175 173 *	PORTA-ABITI 3 POSTI (3 hooks) clothes hanger		9					83,00
175 180 *	CESTINO wastebasket		8					19,00
175 181 *	ACCESSORI SCRIVANIA desk accessories		6					51,00
175 182 *	PORTA-ABITI A STELO clothes-tree		9					151,00
175 183 *	PORTA-ABITI A STELO clothes-tree		9					110,00
175 186 *	PORTA CANCELLERIA INTERNO PER CASSETTIERE internal stationery holder for drawers		11					18,00
175 188 *	CASSETTO IN PLASTICA PORTA-CANCELLERIA SOTTOPIANO stationery plastic drawer under desk top		7					86,00
175 217 *	SUPPORTO PER PC-TOWER CON RUOTE trolley with wheels for vertical PC-tower		8					62,00

* = INDICARE IL CODICE FINITURA
= complete with finish code

CODICE code	DESCRIZIONE description	PAG. page	Cat. B	Cat. D	Cat. E	Cat. F	Cat. G	PR1
			€	€	€	€	€	
			CREPE	STRETCH MELANGE TREVİ	LANA	TAYLOR	GO CHECK RUNNER	
175 222 *	PORTA-TASTIERA ESTRAIBILE L.58 REGOLABILE IN ALTEZZA pull-out keyboard tray height adjustable w 58 cms	7						102,00
175 307 *	SOTTOMANO IN POLIURETANO PER SCRIVANIE polyurethane desk pad	7						224,00
175 349 *	BASE PER LAMPADA base for lamp	6						55,00
175 351 *	PORTA-PENNE pen-holder	5						30,00
175 352 *	PORTA-OGGETTI object-holder	5						54,00
175 353 *	KIT 2 PORTA-CARTA L.35 set of 2 paper-holder w 35 cms	5						69,00
175 361 *	MORSETTO PER ANCORAGGIO LAMPADA A PIANI DI LAVORO clamp for fixing lamp to worktop	6						38,00
175 362 *	BRACCIO SNODATO PORTA-VIDEO CON MORSETTO PER ANCORAGGIO A PIANI DI LAVORO articulated rotating video stand arm + clamp for fixing to worktops	6						263,00
175 392 *	PASSACAPO Ø 80 MM CROMATO chromed cable way Ø 80 MM	CROMATO chromed	13					54,00
175 413 *	CANALINA ELETTR. SOTTOPIANO PER SCRIVANIA L.80 channeled bar for under desk top w 80 cms	14						19,00
175 414 *	CANALINA ELETTR. SOTTOPIANO PER SCRIVANIA L.120 channeled bar for under desk top w 120 cms	14						23,00
175 415 *	CANALINA ELETTR. SOTTOPIANO PER SCRIVANIA L.140 channeled bar for under desk top w 140 cms	14						29,00
175 416 *	CANALINA ELETTR. SOTTOPIANO PER SCRIVANIA L.160 channeled bar for under desk top w 160 cms	14						29,00
175 417 *	CANALINA ELETTR. SOTTOPIANO PER SCRIVANIA L.180 channeled bar for under desk top w 180 cms	14						31,00
175 418 *	CANALINA ELETTR. PER SALITA SU FIANCO SCRIVANIA channeled bar for final side panels desk	14						17,00
175 423 *	CANALINA ELETTR. SOTTOPIANO PER ANGOLO 90° channeled bar for under 90° segment	14						21,00
175 424 *	VERTEBRA A 2 VIE PER SALITA 2 ways rising channels	14						42,00
175 425 *	VERTEBRA 6x4XH.73 CM rising channel 6x4xh.73 cms	14						59,00
175 426 *	VERTEBRA "KUADRA" 6x4XH.128 CM square rising channel 6x4xh.128 cms	14						75,00
175 428 *	CANALINA ELETTR. SOTTOPIANO PER SCRIVANIA L.90 channeled bar for under desk top w 90 cms	14						20,00
175 429 *	CANALINA ELETTR. SOTTOPIANO PER SCRIVANIA L.130 channeled bar for under desk top w 130 cms	14						28,00
175 451 *	CANALE PORTACAVI L.48 cable tray w 48 cms	15						18,00
175 452 *	CANALE PORTACAVI L.58 cable tray w 58 cms	15						18,00
175 453 *	CANALE PORTACAVI L.68 cable tray w 68 cms	15						19,00
175 454 *	CANALE PORTACAVI L.78 cable tray w 78 cms	15						21,00
175 455 *	CANALE PORTACAVI L.88 cable tray w 88 cms	15						22,00
175 456 *	CANALE PORTACAVI L.108 cable tray w 108 cms	15						25,00
175 457 *	CANALE PORTACAVI L.128 cable tray w 128 cms	15						31,00
175 458 *	CANALE PORTACAVI L.148 cable tray w 148 cms	15						34,00
175 459 *	CANALE PORTACAVI L.168 cable tray w 168 cms	15						38,00
175 483 *	PANNELLO FRONTALE L.120 front panel w 120 cms	MELAMINICO melamine	5					60,00
175 484 *	PANNELLO FRONTALE L.140 front panel w 140 cms	MELAMINICO melamine	5					65,00
175 485 *	PANNELLO FRONTALE L.160 front panel w 160 cms	MELAMINICO melamine	5					70,00
175 486 *	PANNELLO FRONTALE L.180 front panel w 180 cms	MELAMINICO melamine	5					75,00

* = INDICARE IL CODICE FINITURA
= complete with finish code

CODICE code	DESCRIZIONE description	PAG. page	Cat. B	Cat. D	Cat. E	Cat. F	Cat. G	PR1
			€	€	€	€	€	
			CREPE	STRETCH MELANGE TREVI	LANA	TAYLOR	GO CHECK RUNNER	
175 493 *	PANNELLO FRONTALE L.120 front panel w 120 cms	5	181,00	189,00	202,00	208,00	218,00	-
175 494 *	PANNELLO FRONTALE L.140 front panel w 140 cms	5	192,00	200,00	213,00	219,00	229,00	-
175 495 *	PANNELLO FRONTALE L.160 front panel w 160 cms	5	203,00	216,00	237,00	247,00	262,00	-
175 496 *	PANNELLO FRONTALE L.180 front panel w 180 cms	5	217,00	232,00	257,00	268,00	286,00	-
175 545 *	PIEDE STABILIZZATORE stabilizer foot	12						22,00
175 546 *	SET 4 STAFFE PER FISSAGGIO PANNELLI A SCRIVANIE (OPTIONAL) set of 4 brackets for fixing panels under desk tops (optional)	12						19,00
175 753 *	LAMPADA A LED led lamp	6						387,00
175 787 *	PASSACAPO Ø 80 MM cable way Ø 80 MM	13						23,00
175 788 *	PASSACAPO IN METALLO Ø 80 MM metal cable way Ø 80 MM	13						31,00
175 791 *	PASSACAPO Ø 60 MM cable way Ø 60 MM	13						12,00
175 792 *	PUNTA AL WIDIA Ø 60 MM drill widia for cable way Ø 60 MM	13						148,00
175 793 *	PASSACAPO Ø 80 MM cable way Ø 80 MM	13						15,00
175 794 *	PUNTA AL WIDIA Ø 80 MM drill widia for cable way Ø 80 MM	13						166,00
175 795 *	PASSACAPO Ø 80 MM cable way Ø 80 MM	13						15,00
175 895 *	KIT ELETTRIF. SINGOLO CON PRESE INGLESÌ E CAVO ALIMENTAZIONE L.200 single electrification kit with BRITISH sockets and power cable of w 200 cms	15						160,00
175 899 *	KIT ELETTRIF. SINGOLO CON PRESE SCHUKO E CAVO ALIMENTAZIONE L.200 single electrification kit with SCHUKO sockets and power cable of w 200 cms	15						86,00
175 900 *	KIT ELETTRIF. DOPPIO CON PRESE SCHUKO E CAVO ALIMENTAZIONE L.200 double electrification kit with SCHUKO sockets and power cable of w 200 cms	15						160,00
175 901 *	KIT PROLUNGA L.200 CON 1 PRESA ENTRATA / 1 USCITA extension kit of w 200 cms with an input-and-out-put-plug	15						30,00
KIT FERRAMENTA / fittings kit								
171 058 *	CHIAVE PER STRAZIONE CILINDRO SERRATURA key for extraction cylinder lock	12						10,00
171 059 *	CILINDRO SERRATURA ESTRAIBILE PER CHIAVI UGUALI extractable cylinder lock for keys alike	12						9,00