

# UP

DESK  
ELEVATION  
SYSTEM

Conforme al DLGS 81/2008 (già 626/'94)  
apply to RULE 81/2008 (626/'94)

**IMPORTANTE / it's very important**



Certif. n°07-08/2019

SULL'ORDINE INDICARE SEMPRE IL CODICE COMPLETO A 9 CIFRE  
always indicate on the order the complete 9-digit code

ESEMPIO: PER ORDINARE 1 SCRIVANIA **ART.653** NOCE PAVIA INDICARE IL CODICE =  
example: to order 1 DESK **ART.653** PAVIA WALNUT indicate the code =

	150	653	066
	MODELLO	ARTICOLO	CODICE FINITURA (*)
	model	art.cdc.	finish code (*)

DECODIFICA →  
decoding

In vigore dal:  
Valid from:  
01/07/2018  
Valido fino a nuova emissione  
Valid until new emission



## SOMMARIO / summary

<b>CARTELLA COLORI</b> .....	<b>4</b>
<i>colours samples card</i>	
<b>"UP_ONE" - SCRIVANIE GAMBE A "T" CON ALTEZZA REGOLABILE H.62÷128 (con sistema motorizzato)</b> .....	<b>10</b>
<i>"UP_ONE"- desks "T" legs with adjustable height h 62÷128 cms (with automatic system)</i>	
<b>SCRIVANIE GAMBE A PONTE CON ALTEZZA REGOLABILE H.65÷85 (con pomo o manovella)</b> .....	<b>11</b>
<i>desks bridge legs with adjustable height h 65÷85 cms (with knob or crank)</i>	
<b>SCRIVANIE GAMBE A "T" CON ALTEZZA REGOLABILE H.62÷128 (con sistema motorizzato)</b> .....	<b>12</b>
<i>desks "T" legs with adjustable height h 62÷128 cms (with automatic system)</i>	
<b>BENCH CON ALTEZZA REGOLABILE H.62÷128 (con sistema motorizzato)</b> .....	<b>13</b>
<i>BENCH with adjustable height h 62÷128 cms (with automatic system)</i>	
<b>ACCESSORI PER SCRIVANIE CON GAMBE A "T" O BENCH</b> .....	<b>13</b>
<i>accessories for desks with "T" legs or BENCH</i>	
<b>ACCESSORI COMUNI</b> .....	<b>14</b>
<i>commons accessories</i>	
<b>DESCRIZIONE TECNICA</b> .....	<b>15</b>
<b>TECHNICAL DESCRIPTION</b> .....	<b>16</b>
<b>INDICE DEI CODICI</b> .....	<b>17</b>
<i>codes index</i>	

**N.B.: CASSETTIERE SU RUOTE, MOBILI CONTENITORI,  
LOCKERS E LIBRERIE A SPALLA UNICA  
SONO INSERITI NEL CAPITOLO "CONTENITORI UNIVERSALI EVO"**  
*PLEASE NOTE: you can find pedestal on wheels, cabinet models, lockers,  
and bookcases with shared side panel in the section "UNIVERSAL CABINETS EVO"*

UP

**CARTELLA COLORI**  
*colours samples card*



**COD. 01** ○  
ARGENTO GOLF | GOLF SILVER



**COD. 03** ○  
ROVERE | OAK



**COD. 04** ○  
ROVERE GREY | GREY OAK



**COD. 06** ○  
NOCE PAVIA | PAVIA WALNUT



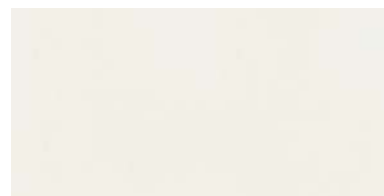
**COD. 42** ○  
GRIGIO | GREY



**COD. 44** ○  
STONE GREY | STONE GREY


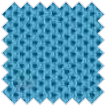

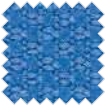


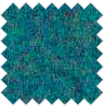

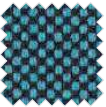
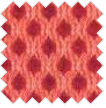
**COD. 45** ○  
WENGÉ | WENGÉ



**COD. 69** ○  
BIANCO BR. | BR. WHITE

(\*) RIEPILOGO CODICI TAPPEZZERIA | FABRICS CODES

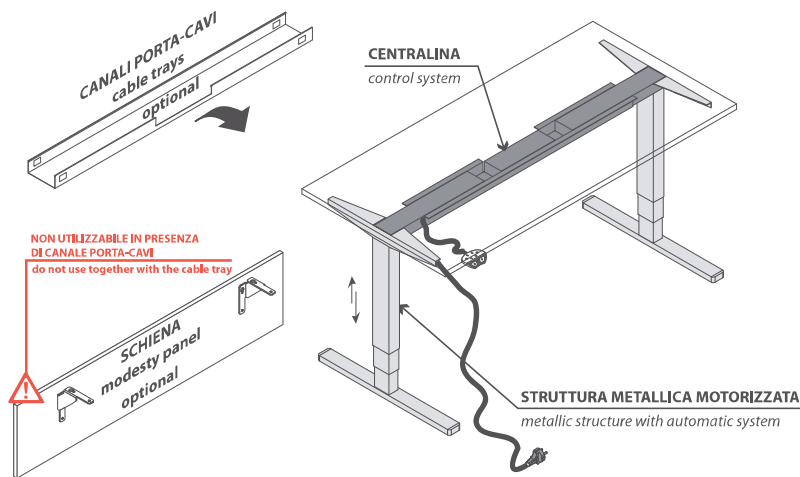
CATEGORY	CODE	(*)	COLORE	COLOUR
<b>CAT. B</b>				
<b>CREPE</b>				
	---	---	<b>522</b>	GRIGIO PERLA LIGHT GREY
	---	---	<b>523</b>	GRIGIO SCURO DARK GREY
	---	---	<b>524</b>	NERO BLACK
	---	---	<b>525</b>	AVORIO IVORY
	---	---	<b>526</b>	NOCCIOLA HAZEL
	---	---	<b>527</b>	MALTO MALT
	---	---	<b>528</b>	VERDE ACIDO ACID GREEN
	---	---	<b>529</b>	PETROLIO PETROLEUM
	---	---	<b>530</b>	ARTICO ARCTIC
	---	---	<b>531</b>	CELESTE LIGHT BLUE
	---	---	<b>532</b>	COBALTO COBALT
	---	---	<b>533</b>	BLU BLUE
	---	---	<b>534</b>	GIALLO YELLOW
	---	---	<b>535</b>	ARANCIO ORANGE
---	---	<b>536</b>	VINACCIO WINE RED	
---	---	<b>537</b>	ROSSO RED	
---	---	<b>538</b>	PRUGNA PLUM	
<b>CAT. D</b>				
<b>STRETCH</b>				
	---	---	<b>585</b>	AVORIO IVORY
	---	---	<b>586</b>	GRIGIO GREY
	---	---	<b>587</b>	ANTRACITE ANTHRACITE
	---	---	<b>588</b>	NERO BLACK
	---	---	<b>589</b>	TORTORA GREY BEIGE
	---	---	<b>590</b>	MARRONE BROWN
	---	---	<b>591</b>	VERDE ACIDO ACID GREEN
	---	---	<b>592</b>	VERDE BOSCO WOOD GREEN
	---	---	<b>593</b>	AZZURRO SKY SKY BLUE
	---	---	<b>594</b>	BLU BLUE
	---	---	<b>595</b>	GIALLO FRESIA FREESIA YELLOW
	---	---	<b>596</b>	ARANCIO ORANGE
	---	---	<b>597</b>	ROSSO RED
	---	---	<b>598</b>	AMARANTO AMARANTH
<b>MELANGE</b>				
	---	---	<b>603</b>	CENERE ASH
	---	---	<b>604</b>	GRIGIO GREY
	---	---	<b>605</b>	FUMO SMOKE
	---	---	<b>606</b>	TORTORA GREY BEIGE
	---	---	<b>607</b>	NOCCIOLA HAZEL
	---	---	<b>608</b>	VERDE ACIDO ACID GREEN
	---	---	<b>609</b>	MUSCHIO MOSS GREEN
	---	---	<b>610</b>	VERDONE DARK GREEN
	---	---	<b>611</b>	ARTICO ARCTIC
	---	---	<b>612</b>	AZZURRO AZURE
	---	---	<b>613</b>	COBALTO COBALT
	---	---	<b>614</b>	PETUNIA PETUNIA
	---	---	<b>615</b>	RIBES CURRANT
	---	---	<b>616</b>	GRANATA GARNET
<b>TREVI</b>				
	---	---	<b>621</b>	GRIGIO GREY
	---	---	<b>622</b>	PORFIDO PORPHYRY
	---	---	<b>623</b>	GRIGIO SCURO DARK GREY
	---	---	<b>624</b>	NERO BLACK
	---	---	<b>625</b>	TORTORA GREY BEIGE
	---	---	<b>626</b>	NOCCIOLA HAZEL
	---	---	<b>627</b>	MARRONE BROWN
	---	---	<b>628</b>	VERDE ACIDO ACID GREEN
	---	---	<b>629</b>	PETROLIO PETROLEUM
	---	---	<b>630</b>	CELESTE LIGHT BLUE
	---	---	<b>631</b>	PERVINCA PERIWINKLE
	---	---	<b>632</b>	BLU BLUE
	---	---	<b>633</b>	OCRA OCHER
	---	---	<b>634</b>	MATTONE BRICK RED
---	---	<b>635</b>	PETUNIA PETUNIA	
---	---	<b>636</b>	ROSSO RED	
---	---	<b>637</b>	AMARANTO AMARANTH	

CATEGORY	CODE	(*)	COLORE	COLOUR
<b>CAT. E</b>				
<b>LANA</b>				
	---	---	<b>642</b>	GRIGIO CHIARO LIGHT GREY
	---	---	<b>643</b>	GRIGIO SCURO DARK GREY
	---	---	<b>644</b>	FUMO SMOKE
	---	---	<b>645</b>	TORTORA GREY BEIGE
	---	---	<b>646</b>	MARRONE BROWN
	---	---	<b>647</b>	VERDE ACIDO ACID GREEN
	---	---	<b>648</b>	MUSCHIO MOSS GREEN
	---	---	<b>649</b>	ARTICO ARCTIC
	---	---	<b>650</b>	MALIBU' MALIBU
	---	---	<b>651</b>	PERVINCA PERIWINKLE
	---	---	<b>652</b>	AVIO NAVY BLUE
	---	---	<b>653</b>	RUGGINE RUSSET
	---	---	<b>654</b>	MATTONE BRICK RED
	---	---	<b>655</b>	FUOCO FIRE RED
<b>CAT. F</b>				
<b>TAYLOR BY FLUKSO</b>				
	---	---	<b>689</b>	MARNA MARL
	---	---	<b>690</b>	GRIGIO SCURO DARK GREY
	---	---	<b>691</b>	GRAFITE GRAPHITE
	---	---	<b>692</b>	NERO BLACK
	---	---	<b>693</b>	TORTORA GREY BEIGE
	---	---	<b>694</b>	TABACCO TOBACCO
	---	---	<b>695</b>	OLIVA OLIVE
	---	---	<b>696</b>	PETROLIO PETROLEUM
	---	---	<b>697</b>	AVIO NAVY BLUE
	---	---	<b>698</b>	BLU NOTTE NIGHT BLUE
	---	---	<b>699</b>	OCRA OCHER
	---	---	<b>700</b>	MATTONE BRICK RED
	---	---	<b>701</b>	PRUGNA PLUM
	---	---	<b>702</b>	ROSSO RED
---	---	<b>703</b>	VINACCIO WINE RED	
<b>CAT. G</b>				
<b>GO CHECK BY GABRIEL</b>				
	---	---	<b>736</b>	GRIGIO GREY
	---	---	<b>737</b>	NERO BLACK
	---	---	<b>738</b>	BEIGE BEIGE
	---	---	<b>739</b>	FANGO MUD
	---	---	<b>740</b>	CACAO COCOA
	---	---	<b>741</b>	VERDE GREEN
	---	---	<b>742</b>	PRATO LAWN
	---	---	<b>743</b>	BOTTIGLIA BOTTLE
	---	---	<b>744</b>	AZZURRO AZURE
	---	---	<b>745</b>	TURCHESE TURQUOISE
	---	---	<b>746</b>	MARE SEA
	---	---	<b>747</b>	BLU BLUE
	---	---	<b>748</b>	GIALLO YELLOW
	---	---	<b>749</b>	ARANCIO ORANGE
---	---	<b>750</b>	PESCA PEACH	
---	---	<b>751</b>	ROSSO RED	
---	---	<b>752</b>	AMARANTO AMARANTH	
<b>RUNNER BY GABRIEL</b>				
	---	---	<b>757</b>	BIANCO WHITE
	---	---	<b>758</b>	ACCIAIO STEEL
	---	---	<b>759</b>	GRAFITE GRAPHITE
	---	---	<b>760</b>	NERO BLACK
	---	---	<b>761</b>	BEIGE BEIGE
	---	---	<b>762</b>	MARRONE BROWN
	---	---	<b>763</b>	VERDE GREEN
	---	---	<b>764</b>	PRATO LAWN
	---	---	<b>765</b>	TURCHESE TURQUOISE
	---	---	<b>766</b>	MARE SEA
	---	---	<b>767</b>	ARANCIO ORANGE
	---	---	<b>768</b>	ROSSO RED

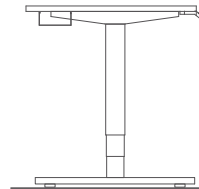
UP

## UP\_ONE

"UP\_ONE" SCRIVANIE GAMBE A "T" CON ALTEZZA REGOLABILE H.62÷128 (con sistema motorizzato)  
 "UP\_ONE" desks "T" legs with adjustable height h 62÷128 cms (with automatic system)

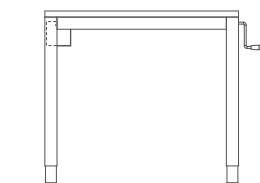
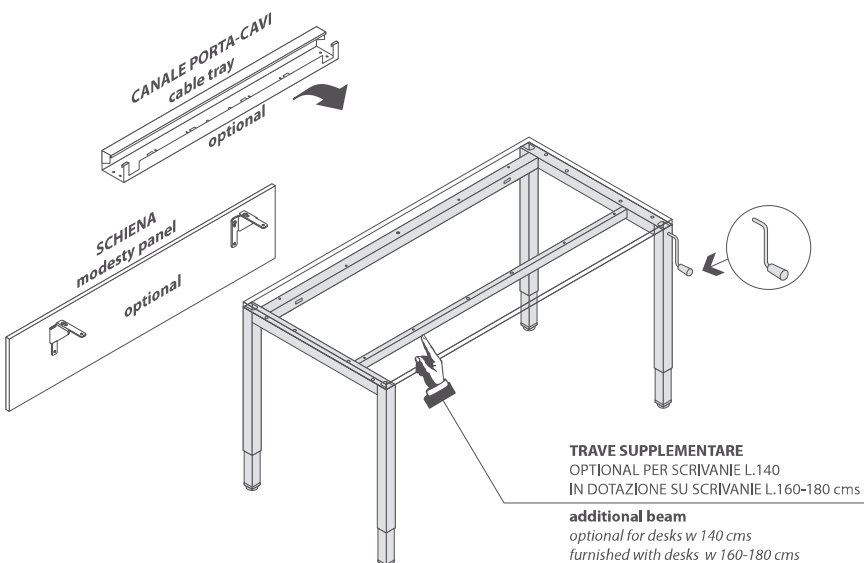
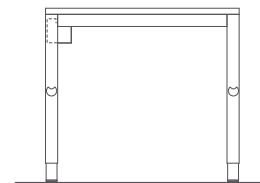
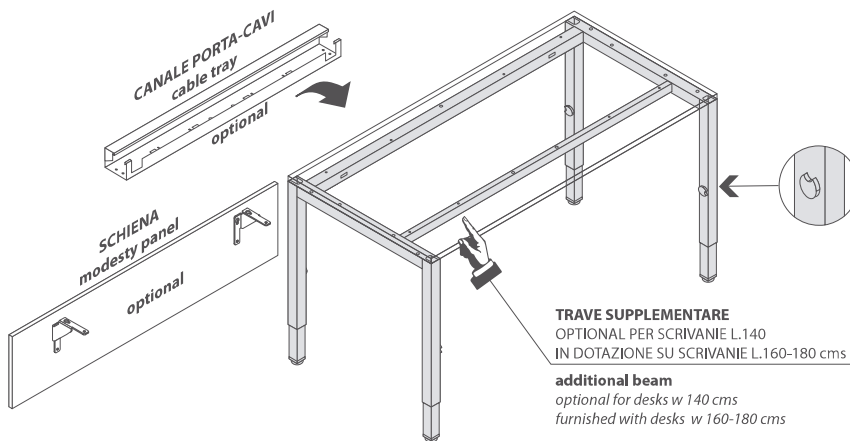


"UP-ONE"  
 SCRIVANIA COMPLETA DI:  
 STRUTTURA METALLICA MOTORIZZATA,  
 CENTRALINA, PIANO DI LAVORO,  
 PULSANTIERA E CAVO DI ALIMENTAZIONE EU  
 "UP-ONE"  
 desk with:  
 metallic structure with automatic system,  
 control system, work top,  
 control panel up/down, EU power cable



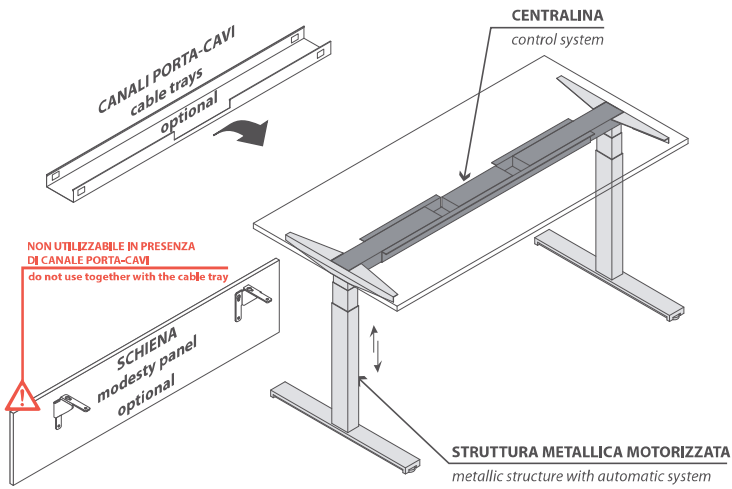
## UP

SCRIVANIE GAMBE A PONTE CON ALTEZZA REGOLABILE H.65÷85 (con pomo o manovella)  
 desks bridge legs with adjustable height h 65÷85 cms (with knob or crank)



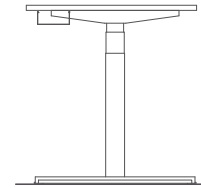
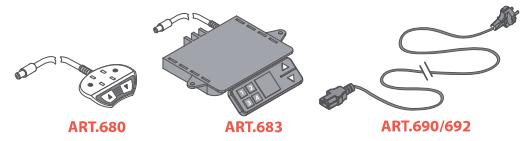
## UP

SCRIVANIE GAMBE A "T" CON ALTEZZA REGOLABILE H.62÷128 (con sistema motorizzato)  
desks "T" legs with adjustable height h 62÷128 cms (with automatic system)



SCRIVANIA COMPLETA DI:  
STRUTTURA METALLICA MOTORIZZATA, CENTRALINA E PIANO DI LAVORO  
**ATTENZIONE!**  
COMPLETARE SEMPRE CON  
PULSANTIERA ART.680 o ART.683+ CAVO DI ALIMENTAZIONE ART.690 o 692!

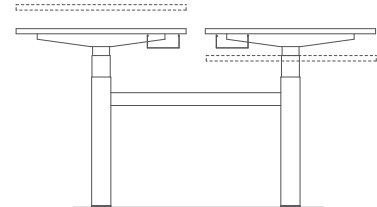
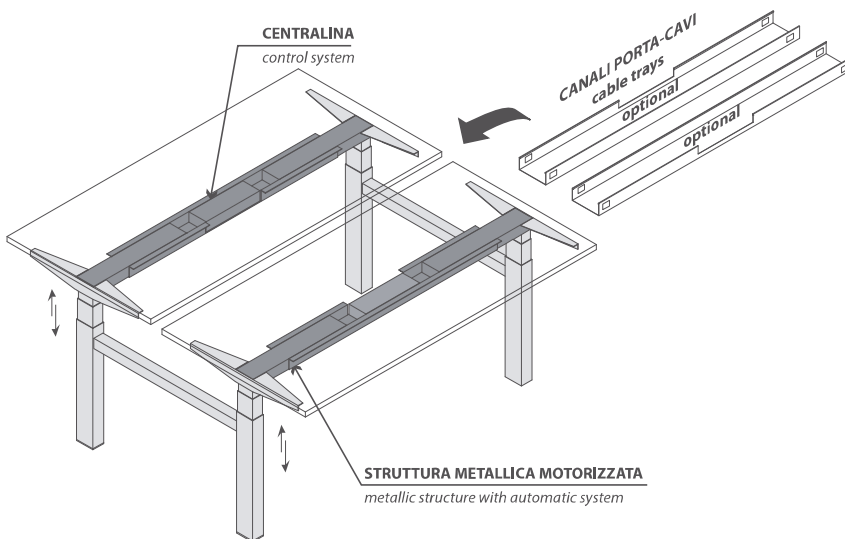
desk with:  
metallic structure with automatic system, control system and work top  
**ATTENTION!**  
to be always completed with  
control panel up/down ART.680 or ART.683+ power cable art.690 or 692



UP

## UP

BENCH CON ALTEZZA REGOLABILE H.62÷128 (con sistema motorizzato)  
BENCH with adjustable height h 62÷128 cms (with automatic system)



## UP\_ONE

"UP\_ONE" SCRIVANIE GAMBE A "T" CON ALTEZZA REGOLABILE H.62÷128 (con sistema motorizzato)  
"UP\_ONE" desks T-legs with adjustable height h 62÷128cms (with automatic system)



**UP\_ONE:** Scrivanie costituite da: un piano di lavoro, 2 gambe a "T" motorizzate con sezione mm 90x60, una trave portante centrale telescopica, una centralina elettrica, una pulsantiera UP/DOWN e un cavo di alimentazione EU lunghezza 300 cm.

**UP\_ONE:** desks are composed of : a worktop, two automatic "T" legs with tubular section 90x60 mm, a supporting telescopic beam, a control system box, a control panel UP/DOWN, a EU power cable w 300 cms.



## UP

SCRIVANIE GAMBE A PONTE CON ALTEZZA REGOLABILE H.65÷85 (con pomo o manovella)  
desks bridge legs with adjustable height h 65÷85 cms (with knob or crank)



### • PIANI DI LAVORO

Realizzati con pannelli di particelle di legno sp. 25mm nobilitati in melaminico nei colori: ROVERE 03, ROVERE GREY 04, NOCE PAVIA 06, GRIGIO 42, STONE GREY 44, WENGÈ 45, BIANCO BR. 69.

Rifiniti perimentalmente con bordo in ABS spessore 2mm in tinta con la superficie.

### • WORK TOPS

Made of particleboard panels 25mm thick. melamine-faced in the following colours: OAK 03, GREY OAK 04, PAVIA WALNUT 06, GREY 42, STONE GREY 44, WENGÈ 45, BR. WHITE 69.

Edge-finishing in 2 mm ABS matching the main shade.



### • STRUTTURA METALLICA CON GAMBE A PONTE

Gambe e 2 travi portanti realizzate in tubolare metallico a sezione quadrata 50x50mm.

Verniciatura a polveri epossidiche nel colore ARGENTO o BIANCO. Le gambe sono dotate di piedini livellatori.

La regolazione in altezza avviene con sistema a pomo "A" o a manovella "B"

### • METAL STRUCTURE WITH BRIDGE LEGS

Legs and 2 supporting beams made of metallic tubular with squared section 50x50 mm.

Painted with epoxy resin powder in SILVER or WHITE colour.

The legs include adjustable feet.

Adjustable-height with knob "A" or crank "B" system.



### • CANALE PORTA-CAVI (OPTIONAL)

Realizzato in lamiera metallica spessore 1 mm.

Verniciato a polveri epossidiche nel colore ARGENTO o BIANCO. L'aggancio avviene sulla trave più esterna (lato visitatore)

### • CABLE TRAY (OPTIONAL)

Made of metallic sheet thick 1 mm .

Painted with epoxy resin powder in SILVER or WHITE colour. Hook on the external beam (guest side).



## UP

### SCRIVANIE GAMBE A "T" CON ALTEZZA REGOLABILE H.62÷128 (con sistema motorizzato) desks T-legs with adjustable height h 62÷128cms (with automatic system)

Scrivanie costituite da: un piano di lavoro, 2 gambe a "T" motorizzate con sezione mm 90x60, una trave portante centrale telescopica, una centralina elettrica.

*Le scrivanie motorizzate devono essere sempre completate con pulsantiera e cavo di alimentazione forniti separatamente!*

Desks are composed of : a worktop, two automatic "T" legs with tubular section 90x60 mm, a supporting telescopic beam, a control system box.

*The automatic desks must always be completed with 1 control panel up/down and 1 power cable!*



UP

## UP

### BENCH CON ALTEZZA REGOLABILE H.62÷128 (con sistema motorizzato) BENCH with adjustable height h 62÷128cms (with automatic system)



#### • STRUTTURA METALLICA CON GAMBE A PONTE

Gambe e 2 travi portanti centrali realizzate in tubolare metallico a sezione 90x60mm.

Verniciatura a polveri epossidiche nel colore ARGENTO o BIANCO. Le gambe sono dotate di piedini livellatori.

La regolazione in altezza avviene con sistema motorizzato in modalità indipendente fra i 2 piani.

*Il bench motorizzato deve essere sempre completato con 2 pulsantiere e 2 cavi di alimentazione forniti separatamente!*

#### • METAL STRUCTURE WITH BRIDGE LEGS

Legs and 2 central supporting beams made of metallic tubular with section 90x60 mm.

Painted with epoxy resin powder in SILVER or WHITE colour.

The legs include adjustable feet.

The height is adjusted with use of a automatic system in an independent way for each top.

*The automatic bench must always be completed with 2 control panels up/down and 2 power cable!*

#### • CANALE PORTA-CAVI (OPTIONAL)

Realizzato in lamiera metallica spessore mm 1.

Verniciato a polveri epossidiche nel colore ARGENTO o BIANCO.

Il fissaggio avviene sottopiano con delle clips che consentono l'ispezionabilità.

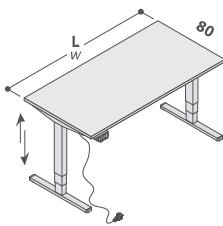
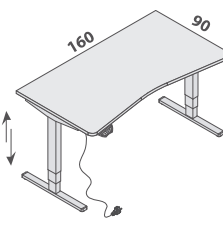
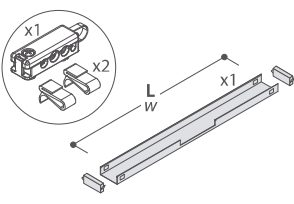

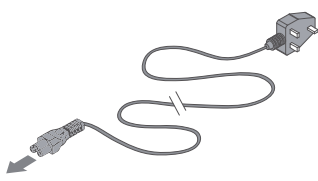
#### • CABLE TRAY (OPTIONAL)

Made of metallic sheet thick 1 mm .

Painted with epoxy resin powder in SILVER or WHITE colour.

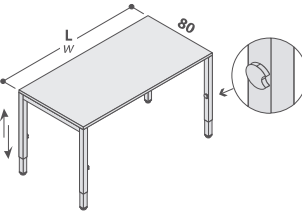
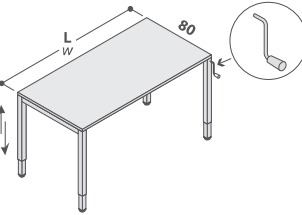
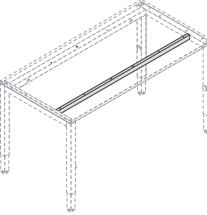
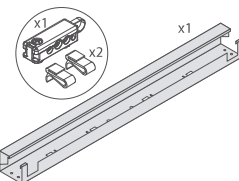
The fixing is under desk top with the clips that allow the inspectability.

**"UP\_ONE" - SCRIVANIE GAMBE A "T" CON ALTEZZA REGOLABILE H.62÷128 (con sistema motorizzato)** **PIANI sp. 25mm**  
**"UP\_ONE"- desks "T" legs with adjustable height h 62÷128 cms (with automatic system)** **tops thick. 25mm**

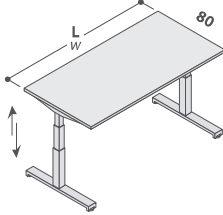
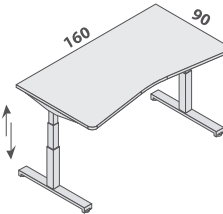
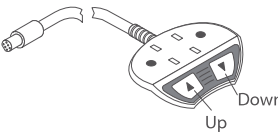
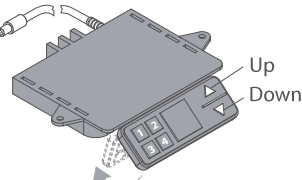
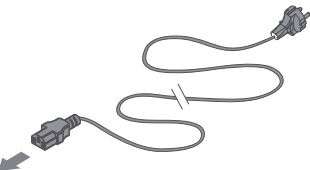
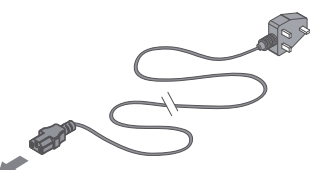
DESCRIZIONE description	L w	CODICE code	KG	M <sup>3</sup>	COLLI	PREZZO price	(*) CODICE FINITURA (*) finish code																																																																											
<b>SCRIVANIE PROF. CM 80</b> desks deep 80 cms    L. x p.80 x H.62÷128	L.140	150 <b>663 (*)</b>	45,5	0,097	3	€ 783,00																																																																												
	L.160	150 <b>664 (*)</b>	48,5	0,147	3	€ 792,00																																																																												
	L.180	150 <b>665 (*)</b>	51,5	0,155	3	€ 801,00																																																																												
	<b>SCRIVANIE COMPLETE DI:</b> <b>CENTRALINA, PULSANTIERA UP-DOWN, E CAVO DI ALIMENTAZIONE EU L.300 cm</b> <i>desks with: control system, control panel up/down, EU power cable w 300 cms</i>							<table border="1"> <thead> <tr> <th>(*)</th> <th>PIANI</th> <th>STRUTTURA</th> <th>tops</th> <th>structure</th> </tr> </thead> <tbody> <tr><td>003</td><td>ROVERE</td><td>ARGENTO</td><td>oak</td><td>silver</td></tr> <tr><td>004</td><td>ROVERE GREY</td><td>ARGENTO</td><td>grey oak</td><td>silver</td></tr> <tr><td>030</td><td>GRIGIO</td><td>ARGENTO</td><td>grey</td><td>silver</td></tr> <tr><td>040</td><td>BIANCO BR.</td><td>ARGENTO</td><td>br. white</td><td>silver</td></tr> <tr><td>044</td><td>STONE GREY</td><td>ARGENTO</td><td>stone grey</td><td>silver</td></tr> <tr><td>066</td><td>NOCE PAVIA</td><td>ARGENTO</td><td>pavia walnut</td><td>silver</td></tr> <tr><td>090</td><td>WENGE'</td><td>ARGENTO</td><td>wenge</td><td>silver</td></tr> <tr><td>400</td><td>BIANCO BR.</td><td>BIANCO</td><td>br. white</td><td>white</td></tr> <tr><td>403</td><td>ROVERE</td><td>BIANCO</td><td>oak</td><td>white</td></tr> <tr><td>404</td><td>ROVERE GREY</td><td>BIANCO</td><td>grey oak</td><td>white</td></tr> <tr><td>430</td><td>GRIGIO</td><td>BIANCO</td><td>grey</td><td>white</td></tr> <tr><td>444</td><td>STONE GREY</td><td>BIANCO</td><td>stone grey</td><td>white</td></tr> <tr><td>466</td><td>NOCE PAVIA</td><td>BIANCO</td><td>pavia walnut</td><td>white</td></tr> <tr><td>490</td><td>WENGE'</td><td>BIANCO</td><td>wenge</td><td>white</td></tr> </tbody> </table>	(*)	PIANI	STRUTTURA	tops	structure	003	ROVERE	ARGENTO	oak	silver	004	ROVERE GREY	ARGENTO	grey oak	silver	030	GRIGIO	ARGENTO	grey	silver	040	BIANCO BR.	ARGENTO	br. white	silver	044	STONE GREY	ARGENTO	stone grey	silver	066	NOCE PAVIA	ARGENTO	pavia walnut	silver	090	WENGE'	ARGENTO	wenge	silver	400	BIANCO BR.	BIANCO	br. white	white	403	ROVERE	BIANCO	oak	white	404	ROVERE GREY	BIANCO	grey oak	white	430	GRIGIO	BIANCO	grey	white	444	STONE GREY	BIANCO	stone grey	white	466	NOCE PAVIA	BIANCO	pavia walnut	white	490	WENGE'	BIANCO	wenge
(*)	PIANI	STRUTTURA	tops	structure																																																																														
003	ROVERE	ARGENTO	oak	silver																																																																														
004	ROVERE GREY	ARGENTO	grey oak	silver																																																																														
030	GRIGIO	ARGENTO	grey	silver																																																																														
040	BIANCO BR.	ARGENTO	br. white	silver																																																																														
044	STONE GREY	ARGENTO	stone grey	silver																																																																														
066	NOCE PAVIA	ARGENTO	pavia walnut	silver																																																																														
090	WENGE'	ARGENTO	wenge	silver																																																																														
400	BIANCO BR.	BIANCO	br. white	white																																																																														
403	ROVERE	BIANCO	oak	white																																																																														
404	ROVERE GREY	BIANCO	grey oak	white																																																																														
430	GRIGIO	BIANCO	grey	white																																																																														
444	STONE GREY	BIANCO	stone grey	white																																																																														
466	NOCE PAVIA	BIANCO	pavia walnut	white																																																																														
490	WENGE'	BIANCO	wenge	white																																																																														
<b>SCRIVANIE SAGOMATE PROF. CM 90</b> shaped desks deep 90 cms    L.160 x p.90 x H.62÷128	L.160	150 <b>667 (*)</b>	49,5	0,170	3	€ 828,00																																																																												
	<b>SCRIVANIE COMPLETE DI:</b> <b>CENTRALINA, PULSANTIERA UP-DOWN, E CAVO DI ALIMENTAZIONE EU L.300 cm</b> <i>desks with: control system, control panel up/down, EU power cable w 300 cms</i>																																																																																	
	<b>CANALI PORTA-CAVI</b> PER SCRIVANIE CON GAMBE A "T" O BENCH <i>cable trays for desks with t-legs or bench</i>																																																																																	
	<table border="1"> <thead> <tr> <th>(*)</th> <th>PIANI</th> <th>STRUTTURA</th> <th>tops</th> <th>structure</th> </tr> </thead> <tbody> <tr><td>000</td><td>ARGENTO</td><td></td><td>silver</td><td></td></tr> <tr><td>400</td><td>BIANCO</td><td></td><td>white</td><td></td></tr> </tbody> </table>							(*)	PIANI	STRUTTURA	tops	structure	000	ARGENTO		silver		400	BIANCO		white																																																													
(*)	PIANI	STRUTTURA	tops	structure																																																																														
000	ARGENTO		silver																																																																															
400	BIANCO		white																																																																															
<b>CANALI PORTA-CAVI</b> PER SCRIVANIE CON GAMBE A "T" O BENCH <i>cable trays for desks with t-legs or bench</i>    L. x p.12,5 x H.8	L.123,2	150 <b>126 (*)</b>	4	0,004	1	€ 71,00																																																																												
	L.143,2	150 <b>127 (*)</b>	5,5	0,005	1	€ 74,00																																																																												
<table border="1"> <thead> <tr> <th colspan="2">PROSPETTO INFORMATIVO / fact-sheet</th> </tr> <tr> <th>CANALE PORTACAVI cable tray</th> <th>UTILIZZABILE SU PIANI usable on the desktops</th> </tr> </thead> <tbody> <tr> <td>ART.126</td> <td>L.140-160</td> </tr> <tr> <td>ART.127</td> <td>L.160-180</td> </tr> </tbody> </table>							PROSPETTO INFORMATIVO / fact-sheet		CANALE PORTACAVI cable tray	UTILIZZABILE SU PIANI usable on the desktops	ART.126	L.140-160	ART.127	L.160-180																																																																				
PROSPETTO INFORMATIVO / fact-sheet																																																																																		
CANALE PORTACAVI cable tray	UTILIZZABILE SU PIANI usable on the desktops																																																																																	
ART.126	L.140-160																																																																																	
ART.127	L.160-180																																																																																	
 <b>NON UTILIZZABILE IN PRESENZA DI SCHIENA</b> <b>DO NOT USE TOGETHER WITH THE MODESTY PANEL</b>																																																																																		
<b>CAVO DI ALIMENTAZIONE UK L.300 cm</b> <b>UK power cable w 300 cms</b>    PER SCRIVANIE UP_ONE! for UP_ONE desks!	UK																																																																																	
	L.300	150 <b>693 (*)</b>	1,5	0,001	1	€ 9,00																																																																												
<table border="1"> <thead> <tr> <th>(*)</th> <th>PIANI</th> <th>STRUTTURA</th> <th>tops</th> <th>structure</th> </tr> </thead> <tbody> <tr><td>500</td><td>NERO</td><td></td><td>black</td><td></td></tr> </tbody> </table>							(*)	PIANI	STRUTTURA	tops	structure	500	NERO		black																																																																			
(*)	PIANI	STRUTTURA	tops	structure																																																																														
500	NERO		black																																																																															

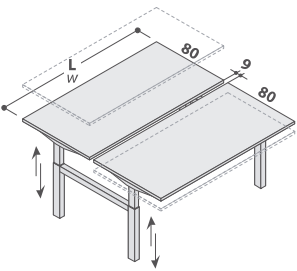
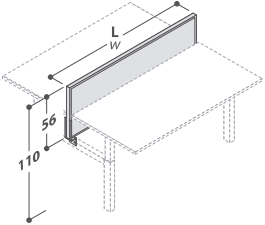
**SCRIVANIE GAMBE A PONTE CON ALTEZZA REGOLABILE H.65÷85 (con pomo o manovella)**PIANI sp. 25mm  
tops thick. 25mm

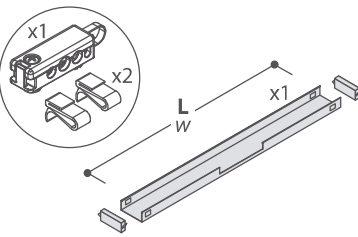
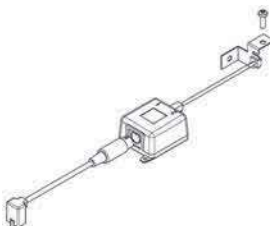
desks bridge legs with adjustable height h 65÷85 cms (with knob or crank)

DESCRIZIONE description	L w	L w	CODICE code	KG	M <sup>3</sup>	COLLI	PREZZO price	(*) CODICE FINITURA (*) finish code																																																																											
<b>SCRIVANIE PROF. CM 80</b> desks deep 80 cms    L. x p.80 x H.65÷85	L.140	L.140	150 <b>019</b> (*)	35	0,218	3	€ 500,00	<table border="1"> <thead> <tr> <th>(*)</th> <th>PIANI</th> <th>STRUTTURA</th> <th>tops</th> <th>structure</th> </tr> </thead> <tbody> <tr><td>003</td><td>ROVERE</td><td>ARGENTO</td><td>oak</td><td>silver</td></tr> <tr><td>004</td><td>ROVERE GREY</td><td>ARGENTO</td><td>grey oak</td><td>silver</td></tr> <tr><td>030</td><td>GRIGIO</td><td>ARGENTO</td><td>grey</td><td>silver</td></tr> <tr><td>040</td><td>BIANCO BR.</td><td>ARGENTO</td><td>br. white</td><td>silver</td></tr> <tr><td>044</td><td>STONE GREY</td><td>ARGENTO</td><td>stone grey</td><td>silver</td></tr> <tr><td>066</td><td>NOCE PAVIA</td><td>ARGENTO</td><td>pavia walnut</td><td>silver</td></tr> <tr><td>090</td><td>WENGÈ</td><td>ARGENTO</td><td>wenge</td><td>silver</td></tr> <tr><td>400</td><td>BIANCO BR.</td><td>BIANCO</td><td>br. white</td><td>white</td></tr> <tr><td>403</td><td>ROVERE</td><td>BIANCO</td><td>oak</td><td>white</td></tr> <tr><td>404</td><td>ROVERE GREY</td><td>BIANCO</td><td>grey oak</td><td>white</td></tr> <tr><td>430</td><td>GRIGIO</td><td>BIANCO</td><td>grey</td><td>white</td></tr> <tr><td>444</td><td>STONE GREY</td><td>BIANCO</td><td>stone grey</td><td>white</td></tr> <tr><td>466</td><td>NOCE PAVIA</td><td>BIANCO</td><td>pavia walnut</td><td>white</td></tr> <tr><td>490</td><td>WENGÈ</td><td>BIANCO</td><td>wenge</td><td>white</td></tr> </tbody> </table>	(*)	PIANI	STRUTTURA	tops	structure	003	ROVERE	ARGENTO	oak	silver	004	ROVERE GREY	ARGENTO	grey oak	silver	030	GRIGIO	ARGENTO	grey	silver	040	BIANCO BR.	ARGENTO	br. white	silver	044	STONE GREY	ARGENTO	stone grey	silver	066	NOCE PAVIA	ARGENTO	pavia walnut	silver	090	WENGÈ	ARGENTO	wenge	silver	400	BIANCO BR.	BIANCO	br. white	white	403	ROVERE	BIANCO	oak	white	404	ROVERE GREY	BIANCO	grey oak	white	430	GRIGIO	BIANCO	grey	white	444	STONE GREY	BIANCO	stone grey	white	466	NOCE PAVIA	BIANCO	pavia walnut	white	490	WENGÈ	BIANCO	wenge	white
	(*)	PIANI	STRUTTURA	tops	structure																																																																														
	003	ROVERE	ARGENTO	oak	silver																																																																														
	004	ROVERE GREY	ARGENTO	grey oak	silver																																																																														
030	GRIGIO	ARGENTO	grey	silver																																																																															
040	BIANCO BR.	ARGENTO	br. white	silver																																																																															
044	STONE GREY	ARGENTO	stone grey	silver																																																																															
066	NOCE PAVIA	ARGENTO	pavia walnut	silver																																																																															
090	WENGÈ	ARGENTO	wenge	silver																																																																															
400	BIANCO BR.	BIANCO	br. white	white																																																																															
403	ROVERE	BIANCO	oak	white																																																																															
404	ROVERE GREY	BIANCO	grey oak	white																																																																															
430	GRIGIO	BIANCO	grey	white																																																																															
444	STONE GREY	BIANCO	stone grey	white																																																																															
466	NOCE PAVIA	BIANCO	pavia walnut	white																																																																															
490	WENGÈ	BIANCO	wenge	white																																																																															
L.160	L.160	150 <b>020</b> (*)	40	0,226	3	€ 542,00																																																																													
L.180	L.180	150 <b>021</b> (*)	44	0,234	3	€ 560,00																																																																													
<b>SCRIVANIE PROF. CM 80</b> desks deep 80 cms    L. x p.80 x H.65÷85	L.140	L.140	150 <b>081</b> (*)	36	0,218	3	€ 953,00	<table border="1"> <thead> <tr> <th>(*)</th> <th>PIANI</th> <th>STRUTTURA</th> <th>tops</th> <th>structure</th> </tr> </thead> <tbody> <tr><td>000</td><td>ARGENTO</td><td></td><td>silver</td><td></td></tr> <tr><td>400</td><td>BIANCO</td><td></td><td>white</td><td></td></tr> </tbody> </table>	(*)	PIANI	STRUTTURA	tops	structure	000	ARGENTO		silver		400	BIANCO		white																																																													
	(*)	PIANI	STRUTTURA	tops	structure																																																																														
	000	ARGENTO		silver																																																																															
	400	BIANCO		white																																																																															
L.160	L.160	150 <b>082</b> (*)	41	0,226	3	€ 1.001,00																																																																													
L.180	L.180	150 <b>083</b> (*)	45	0,234	3	€ 1.020,00																																																																													
<b>TRAVE SUPPLEMENTARE (OPTIONAL) PER SCRIVANIE</b> additional beam (optional) for desks    L. x p.2,5 x H.4	L. TRAVE w beam	UTILIZZARE SU PIANI use for desktop						<table border="1"> <thead> <tr> <th>(*)</th> <th>PIANI</th> <th>STRUTTURA</th> <th>tops</th> <th>structure</th> </tr> </thead> <tbody> <tr><td>000</td><td>ARGENTO</td><td></td><td>silver</td><td></td></tr> <tr><td>400</td><td>BIANCO</td><td></td><td>white</td><td></td></tr> </tbody> </table>	(*)	PIANI	STRUTTURA	tops	structure	000	ARGENTO		silver		400	BIANCO		white																																																													
	(*)	PIANI	STRUTTURA	tops	structure																																																																														
000	ARGENTO		silver																																																																																
400	BIANCO		white																																																																																
L.130,4	L.140	150 <b>116</b> (*)	3,5	0,029	1	€ 31,00																																																																													
<b>CANALI PORTA-CAVI BASCULANTE</b> +1 FISSAGGIO CAVI + 2 CLIP FERMACAVI (SOLO PER SCRIVANIE CON GAMBE A PONTE) tilting cable trays + 1 fixing cable + 2 plastic cable clamp (for desks with bridge legs only)    L. x p.11 x H.10	L. PORTACAVI w cable tray	UTILIZZARE SU PIANI use for desktop						<table border="1"> <thead> <tr> <th>(*)</th> <th>PIANI</th> <th>STRUTTURA</th> <th>tops</th> <th>structure</th> </tr> </thead> <tbody> <tr><td>000</td><td>ARGENTO</td><td></td><td>silver</td><td></td></tr> <tr><td>400</td><td>BIANCO</td><td></td><td>white</td><td></td></tr> </tbody> </table>	(*)	PIANI	STRUTTURA	tops	structure	000	ARGENTO		silver		400	BIANCO		white																																																													
	(*)	PIANI	STRUTTURA	tops	structure																																																																														
	000	ARGENTO		silver																																																																															
	400	BIANCO		white																																																																															
L.100,4	L.140	150 <b>121</b> (*)	3,2	0,034	1	€ 52,00																																																																													
L.120,4	L.160	150 <b>122</b> (*)	3,5	0,034	1	€ 59,00																																																																													
L.140,4	L.180	150 <b>123</b> (*)	4	0,034	1	€ 65,00																																																																													

UP

SCRIVANIE GAMBE A "T" CON ALTEZZA REGOLABILE <b>H.62÷128</b> (con sistema motorizzato)							PIANI sp. 25mm tops thick. 25mm																																																																												
desks "T" legs with adjustable height <b>h 62÷128 cms</b> (with automatic system)							(*) CODICE FINITURA																																																																												
DESCRIZIONE description	L w	CODICE code	KG	M <sup>3</sup>	COLLI	PREZZO price	(*) finish code																																																																												
SCRIVANIE PROF. CM 80 desks deep 80 cms   L. x p.80 x H.62÷128	L.140	150 <b>653</b> (*)	48,5	0,138	3	€ 1.086,00																																																																													
	L.160	150 <b>654</b> (*)	51,5	0,147	3	€ 1.095,00																																																																													
	L.180	150 <b>655</b> (*)	54,5	0,155	3	€ 1.104,00																																																																													
	<b>COMPLETARE SEMPRE</b> <b>CON PULSANTIERA ART.680 O 683+ CAVO DI ALIMENTAZIONE ART.690 O 692</b> <i>always complete with control panel up/down art.680 or 683+power cable art.690 or 692</i>							<table border="1"> <thead> <tr> <th>(*)</th> <th>PIANI</th> <th>STRUTTURA</th> <th>tops</th> <th>structure</th> </tr> </thead> <tbody> <tr><td>003</td><td>ROVERE</td><td>ARGENTO</td><td>oak</td><td>silver</td></tr> <tr><td>004</td><td>ROVERE GREY</td><td>ARGENTO</td><td>grey oak</td><td>silver</td></tr> <tr><td>030</td><td>GRIGIO</td><td>ARGENTO</td><td>grey</td><td>silver</td></tr> <tr><td>040</td><td>BIANCO BR.</td><td>ARGENTO</td><td>br. white</td><td>silver</td></tr> <tr><td>044</td><td>STONE GREY</td><td>ARGENTO</td><td>stone grey</td><td>silver</td></tr> <tr><td>066</td><td>NOCE PAVIA</td><td>ARGENTO</td><td>pavia walnut</td><td>silver</td></tr> <tr><td>090</td><td>WENGE'</td><td>ARGENTO</td><td>wenge</td><td>silver</td></tr> <tr><td>400</td><td>BIANCO BR.</td><td>BIANCO</td><td>br. white</td><td>white</td></tr> <tr><td>403</td><td>ROVERE</td><td>BIANCO</td><td>oak</td><td>white</td></tr> <tr><td>404</td><td>ROVERE GREY</td><td>BIANCO</td><td>grey oak</td><td>white</td></tr> <tr><td>430</td><td>GRIGIO</td><td>BIANCO</td><td>grey</td><td>white</td></tr> <tr><td>444</td><td>STONE GREY</td><td>BIANCO</td><td>stone grey</td><td>white</td></tr> <tr><td>466</td><td>NOCE PAVIA</td><td>BIANCO</td><td>pavia walnut</td><td>white</td></tr> <tr><td>490</td><td>WENGE'</td><td>BIANCO</td><td>wenge</td><td>white</td></tr> </tbody> </table>		(*)	PIANI	STRUTTURA	tops	structure	003	ROVERE	ARGENTO	oak	silver	004	ROVERE GREY	ARGENTO	grey oak	silver	030	GRIGIO	ARGENTO	grey	silver	040	BIANCO BR.	ARGENTO	br. white	silver	044	STONE GREY	ARGENTO	stone grey	silver	066	NOCE PAVIA	ARGENTO	pavia walnut	silver	090	WENGE'	ARGENTO	wenge	silver	400	BIANCO BR.	BIANCO	br. white	white	403	ROVERE	BIANCO	oak	white	404	ROVERE GREY	BIANCO	grey oak	white	430	GRIGIO	BIANCO	grey	white	444	STONE GREY	BIANCO	stone grey	white	466	NOCE PAVIA	BIANCO	pavia walnut	white	490	WENGE'	BIANCO	wenge
(*)	PIANI	STRUTTURA	tops	structure																																																																															
003	ROVERE	ARGENTO	oak	silver																																																																															
004	ROVERE GREY	ARGENTO	grey oak	silver																																																																															
030	GRIGIO	ARGENTO	grey	silver																																																																															
040	BIANCO BR.	ARGENTO	br. white	silver																																																																															
044	STONE GREY	ARGENTO	stone grey	silver																																																																															
066	NOCE PAVIA	ARGENTO	pavia walnut	silver																																																																															
090	WENGE'	ARGENTO	wenge	silver																																																																															
400	BIANCO BR.	BIANCO	br. white	white																																																																															
403	ROVERE	BIANCO	oak	white																																																																															
404	ROVERE GREY	BIANCO	grey oak	white																																																																															
430	GRIGIO	BIANCO	grey	white																																																																															
444	STONE GREY	BIANCO	stone grey	white																																																																															
466	NOCE PAVIA	BIANCO	pavia walnut	white																																																																															
490	WENGE'	BIANCO	wenge	white																																																																															
SCRIVANIE SAGOMATE PROF. CM 90 shaped desks deep 90 cms   L. x p.90 x H.62÷128	L.160	150 <b>657</b> (*)	52,5	0,170	3	€ 1.131,00																																																																													
	<b>COMPLETARE SEMPRE</b> <b>CON PULSANTIERA ART.680 O 683+ CAVO DI ALIMENTAZIONE ART.690 O 692</b> <i>always complete with control panel up/down art.680 or 683+power cable art.690 or 692</i>																																																																																		
PULSANTIERA UP/DOWN control panel up/down   L.7,1 x p.4,8 x H.1,7		150 <b>680</b> (*)	1,5	0,001	1	€ 22,00																																																																													
	<b>COMPLETARE SEMPRE</b> <b>CON PULSANTIERA ART.680 O 683+ CAVO DI ALIMENTAZIONE ART.690 O 692</b> <i>always complete with control panel up/down art.680 or 683+power cable art.690 or 692</i>																																																																																		
PULSANTIERA UP/DOWN "COMFORT" RETRAIBILE retractable control panel up/down "COMFORT"   L.18,4 x p.15 x H.3,9		150 <b>683</b> (*)	1,5	0,001	1	€ 76,00																																																																													
	<b>COMPLETARE SEMPRE</b> <b>CON PULSANTIERA ART.680 O 683+ CAVO DI ALIMENTAZIONE ART.690 O 692</b> <i>always complete with control panel up/down art.680 or 683+power cable art.690 or 692</i>																																																																																		
CAVO DI ALIMENTAZIONE EU L.300 cm EU power cable w 300 cms  		EU 150 <b>690</b> (*)	1,5	0,001	1	€ 13,00																																																																													
	<b>COMPLETARE SEMPRE</b> <b>CON PULSANTIERA ART.680 O 683+ CAVO DI ALIMENTAZIONE ART.690 O 692</b> <i>always complete with control panel up/down art.680 or 683+power cable art.690 or 692</i>																																																																																		
CAVO DI ALIMENTAZIONE UK L.300 cm UK power cable w 300 cms  		UK 150 <b>692</b> (*)	1,5	0,001	1	€ 15,00																																																																													
	<b>COMPLETARE SEMPRE</b> <b>CON PULSANTIERA ART.680 O 683+ CAVO DI ALIMENTAZIONE ART.690 O 692</b> <i>always complete with control panel up/down art.680 or 683+power cable art.690 or 692</i>																																																																																		
							(*)																																																																												
							500	NERO	black																																																																										
							(*)																																																																												
							500	NERO	black																																																																										

BENCH CON ALTEZZA REGOLABILE <b>H.62÷128</b> (con sistema motorizzato) BENCH with adjustable height <b>h 62÷128 cms</b> (with automatic system)							PIANI sp. 25mm tops thick. 25mm																																																																													
DESCRIZIONE description	L w	L w	CODICE code	KG	M <sup>3</sup>	COLLI	PREZZO price	(*) CODICE FINITURA (*) finish code																																																																												
 <p>L. x p.169 x H.62÷128</p>								<table border="1"> <thead> <tr> <th>(*)</th> <th>PIANI</th> <th>STRUTTURA</th> <th>tops</th> <th>structure</th> </tr> </thead> <tbody> <tr> <td>003</td> <td>ROVERE</td> <td>ARGENTO</td> <td>oak</td> <td>silver</td> </tr> <tr> <td>004</td> <td>ROVERE GREY</td> <td>ARGENTO</td> <td>grey oak</td> <td>silver</td> </tr> <tr> <td>030</td> <td>GRIGIO</td> <td>ARGENTO</td> <td>grey</td> <td>silver</td> </tr> <tr> <td>040</td> <td>BIANCO BR.</td> <td>ARGENTO</td> <td>br. white</td> <td>silver</td> </tr> <tr> <td>044</td> <td>STONE GREY</td> <td>ARGENTO</td> <td>stone grey</td> <td>silver</td> </tr> <tr> <td>066</td> <td>NOCE PAVIA</td> <td>ARGENTO</td> <td>pavia walnut</td> <td>silver</td> </tr> <tr> <td>090</td> <td>WENGÉ</td> <td>ARGENTO</td> <td>wenge</td> <td>silver</td> </tr> <tr> <td>400</td> <td>BIANCO BR.</td> <td>BIANCO</td> <td>br. white</td> <td>white</td> </tr> <tr> <td>403</td> <td>ROVERE</td> <td>BIANCO</td> <td>oak</td> <td>white</td> </tr> <tr> <td>404</td> <td>ROVERE GREY</td> <td>BIANCO</td> <td>grey oak</td> <td>white</td> </tr> <tr> <td>430</td> <td>GRIGIO</td> <td>BIANCO</td> <td>grey</td> <td>white</td> </tr> <tr> <td>444</td> <td>STONE GREY</td> <td>BIANCO</td> <td>stone grey</td> <td>white</td> </tr> <tr> <td>466</td> <td>NOCE PAVIA</td> <td>BIANCO</td> <td>pavia walnut</td> <td>white</td> </tr> <tr> <td>490</td> <td>WENGÉ</td> <td>BIANCO</td> <td>wenge</td> <td>white</td> </tr> </tbody> </table>		(*)	PIANI	STRUTTURA	tops	structure	003	ROVERE	ARGENTO	oak	silver	004	ROVERE GREY	ARGENTO	grey oak	silver	030	GRIGIO	ARGENTO	grey	silver	040	BIANCO BR.	ARGENTO	br. white	silver	044	STONE GREY	ARGENTO	stone grey	silver	066	NOCE PAVIA	ARGENTO	pavia walnut	silver	090	WENGÉ	ARGENTO	wenge	silver	400	BIANCO BR.	BIANCO	br. white	white	403	ROVERE	BIANCO	oak	white	404	ROVERE GREY	BIANCO	grey oak	white	430	GRIGIO	BIANCO	grey	white	444	STONE GREY	BIANCO	stone grey	white	466	NOCE PAVIA	BIANCO	pavia walnut	white	490	WENGÉ	BIANCO	wenge	white
	(*)	PIANI	STRUTTURA	tops	structure																																																																															
	003	ROVERE	ARGENTO	oak	silver																																																																															
	004	ROVERE GREY	ARGENTO	grey oak	silver																																																																															
	030	GRIGIO	ARGENTO	grey	silver																																																																															
	040	BIANCO BR.	ARGENTO	br. white	silver																																																																															
	044	STONE GREY	ARGENTO	stone grey	silver																																																																															
	066	NOCE PAVIA	ARGENTO	pavia walnut	silver																																																																															
	090	WENGÉ	ARGENTO	wenge	silver																																																																															
	400	BIANCO BR.	BIANCO	br. white	white																																																																															
403	ROVERE	BIANCO	oak	white																																																																																
404	ROVERE GREY	BIANCO	grey oak	white																																																																																
430	GRIGIO	BIANCO	grey	white																																																																																
444	STONE GREY	BIANCO	stone grey	white																																																																																
466	NOCE PAVIA	BIANCO	pavia walnut	white																																																																																
490	WENGÉ	BIANCO	wenge	white																																																																																
<p>La regolazione in altezza avviene con sistema motorizzato in modalità indipendente fra i 2 piani. <u>Completare con 2 canali porta-cavi (OPTIONAL).</u> The height is adjusted with use of a automatic system in an independent way for each top. <u>Complete with 2 cable trays (OPTIONAL).</u></p>																																																																																				
<p><b>COMPLETARE SEMPRE</b> <b>CON 2 PULSANTIERE ART.680 O 683+ 2 CAVI DI ALIMENTAZIONE ART.690 O 692</b> always complete with 2 control panels up/down art.680 or 683+n°2 power cables art.690 or 692</p>																																																																																				
 <p>L. x p.4 x H.56</p>								<table border="1"> <thead> <tr> <th>B</th> <th>D</th> <th>E</th> <th>F</th> <th>G</th> </tr> </thead> <tbody> <tr> <td>CREPE</td> <td>STRETCH</td> <td>LANA</td> <td>TAYLOR by Flukso</td> <td>GO CHECK by Gabriel RUNNER by Gabriel</td> </tr> <tr> <td></td> <td>MELANGE</td> <td></td> <td></td> <td></td> </tr> <tr> <td></td> <td>TREVI</td> <td></td> <td></td> <td></td> </tr> </tbody> </table>		B	D	E	F	G	CREPE	STRETCH	LANA	TAYLOR by Flukso	GO CHECK by Gabriel RUNNER by Gabriel		MELANGE					TREVI																																																										
	B	D	E	F	G																																																																															
	CREPE	STRETCH	LANA	TAYLOR by Flukso	GO CHECK by Gabriel RUNNER by Gabriel																																																																															
		MELANGE																																																																																		
		TREVI																																																																																		
	<p><b>PROFLO PERIM. E STAFFE</b> <b>COL. ARGENTO</b> edge profile and stirrups in SILVER colour</p>		<p><b>TESSUTO</b> fabric</p>																																																																																	
	L.160	150	<b>408 (*)</b>	15	0,053	2	€ 462,00	€ 488,00	€ 498,00	€ 508,00	€ 524,00																																																																									
	L.180	150	<b>409 (*)</b>	17	0,059	2	€ 504,00	€ 533,00	€ 544,00	€ 555,00	€ 573,00																																																																									
	<p><b>PROFLO PERIM. E STAFFE</b> <b>COL. BIANCO</b> edge profile and stirrups in WHITE colour</p>		<p><b>TESSUTO</b> fabric</p>																																																																																	
	L.160	150	<b>411 (*)</b>	15	0,053	2	€ 462,00	€ 488,00	€ 498,00	€ 508,00	€ 524,00																																																																									
L.180	150	<b>412 (*)</b>	17	0,059	2	€ 504,00	€ 533,00	€ 544,00	€ 555,00	€ 573,00																																																																										

ACCESSORI PER SCRIVANIE CON GAMBE A "T" O BENCH accessories for desks with "T" legs or BENCH																				
DESCRIZIONE description	L w	CODICE code	KG	M <sup>3</sup>	COLLI	PREZZO price	(*) CODICE FINITURA (*) finish code													
<p>CANALI PORTA-CAVI PER SCRIVANIE CON GAMBE A "T" O BENCH cable trays for desks with t-legs or bench</p>  <p>L. x p.12,5 x H.8</p>	L.123,2	150	<b>126 (*)</b>	4	0,004	1	€ 71,00													
	L.143,2	150	<b>127 (*)</b>	5,5	0,005	1	€ 74,00													
	<p>PROSPETTO INFORMATIVO / fact-sheet</p> <table border="1"> <thead> <tr> <th>CANALE PORTACAVI cable tray</th> <th>UTILIZZABILE SU PIANI usable on the desktops</th> </tr> </thead> <tbody> <tr> <td>ART.126</td> <td>L.140-160</td> </tr> <tr> <td>ART.127</td> <td>L.160-180</td> </tr> </tbody> </table>							CANALE PORTACAVI cable tray	UTILIZZABILE SU PIANI usable on the desktops	ART.126	L.140-160	ART.127	L.160-180							
	CANALE PORTACAVI cable tray	UTILIZZABILE SU PIANI usable on the desktops																		
ART.126	L.140-160																			
ART.127	L.160-180																			
<p><b>NON UTILIZZABILE IN PRESENZA DI SCHIENA</b> DO NOT USE TOGETHER WITH THE MODESTY PANEL</p>																				
<p>SISTEMA ANTI-COLLISIONE PER SCRIVANIE CON GAMBE A "T" O BENCH (utilizzabile solo con pulsantiera "COMFORT" art.683) anti-collision sensor set for desks with t-legs or bench (usable with "COMFORT" control panel art. 683 only)</p> 		150	<b>128 (*)</b>	2	0,002	1	€ 74,00													
	<p><b>NON UTILIZZABILE SU SCRIVANIE "UP_ONE"</b> do not use on "UP_ONE" desks</p>																			
									<table border="1"> <thead> <tr> <th>(*)</th> <th></th> <th></th> </tr> </thead> <tbody> <tr> <td>000</td> <td>ARGENTO</td> <td>silver</td> </tr> <tr> <td>400</td> <td>BIANCO</td> <td>white</td> </tr> </tbody> </table>	(*)			000	ARGENTO	silver	400	BIANCO	white		
(*)																				
000	ARGENTO	silver																		
400	BIANCO	white																		





## DESCRIZIONE TECNICA UP\_ONE

### SCRIVANIE GAMBE A "T" CON ALTEZZA REGOLABILE H.62+128 (CON SISTEMA MOTORIZZATO):

Costituite da : un piano scrivania, due gambe a "T" motorizzate, una trave portante centrale telescopica, una centralina elettrica, una pulsantiera UP/DOWN, un cavo di alimentazione EU lunghezza 300 cm.

I piani di lavoro sono realizzati con pannelli di particelle di legno sp. mm 25 nobilitati in melaminico (Classe E1 basso contenuto di Formaldeide ) e bordati perimetralmente in ABS mm 2 in tinta con la superficie e disponibili nei colori: ROVERE 03, ROVERE GREY 04, NOCE PAVIA 06, GRIGIO 42, STONE GREY 44, WENGHE' 45, BIANCO BR. 69.

Le gambe a "T" sono realizzate con tubolari metallici telescopici a sezione rettangolare mm 90x60x2, verniciati a polveri epossidiche nei colori: ARGENTO e BIANCO. Alla base delle gambe sono situati piedini livellatori.

La regolazione in altezza avviene mediante sistema motorizzato.

Trave portante telescopica realizzata in tubolare metallico a sezione mm 100x50x2, verniciata a polveri epossidiche colore nero.

## DESCRIZIONE TECNICA UP

### SCRIVANIE GAMBE A PONTE CON ALTEZZA REGOLABILE H.65+85 (CON POMO O MANOVELLA):

Costituite da : un piano scrivania, due gambe a ponte, una trave portante e una trave supplementare (optional su L.140)

Piano di lavoro realizzato con pannello di particelle di legno sp. mm 25 nobilitato in melaminico (Classe E1 basso contenuto di Formaldeide ) e bordato perimetralmente in ABS mm 2 in tinta con la superficie e disponibili nei colori: ROVERE 03, ROVERE GREY 04, NOCE PAVIA 06, GRIGIO 42, STONE GREY 44, WENGHE' 45, BIANCO BR. 69.

Gambe a ponte sono realizzate con tubolari metallici telescopici a sezione quadrata mm 50x50x2, verniciati a polveri epossidiche nei colori: ARGENTO e BIANCO.

Alla base delle gambe sono situati piedini livellatori. Nella parte trasversale superiore sono situati attacchi per il fissaggio della trave portante e della supplementare.

La regolazione in altezza avviene mediante sistema a pomo o a manovella. La scala graduata stampata indica le dimensioni in altezza della scrivania compreso il piano.

Trave portante realizzata in tubolare metallico a sezione quadrata mm 50x50x2, verniciata a polveri epossidiche nei colori: ARGENTO e BIANCO. Presenta delle asole per l'aggancio del canale passa-cavi.

Trave supplementare realizzata in tubolare metallico a sezione rettangolare mm 45x25x2, verniciata a polveri epossidiche nei colori: ARGENTO e BIANCO.

### CANALI PORTA CAVI PER SCRIVANIE CON GAMBE A PONTE:

Realizzati in lamiera metallica sp. mm 1 verniciata a polveri epossidiche nel colore ARGENTO e BIANCO, consente l'alloggiamento di kit elettrificazione e la raccolta di cavi in eccesso. Il montaggio avviene a sospensione sulla trave portante, lato visitatore, delle scrivanie con gambe a ponte.

### SCRIVANIE GAMBE A "T" CON ALTEZZA REGOLABILE H.62+128 (CON SISTEMA MOTORIZZATO):

Costituite da : un piano scrivania, due gambe a "T" motorizzate, una trave portante centrale telescopica, una centralina elettrica.

I piani di lavoro sono realizzati con pannelli di particelle di legno sp. mm 25 nobilitati in melaminico (Classe E1 basso contenuto di Formaldeide ) e bordati perimetralmente in ABS mm 2 in tinta con la superficie e disponibili nei colori: ROVERE 03, ROVERE GREY 04, NOCE PAVIA 06, GRIGIO 42, STONE GREY 44, WENGHE' 45, BIANCO BR. 69.

Le gambe a "T" sono realizzate con tubolari metallici telescopici a sezione rettangolare mm 90x60x2, verniciati a polveri epossidiche nei colori: ARGENTO e BIANCO. Alla base delle gambe sono situati piedini livellatori.

La regolazione in altezza avviene mediante sistema motorizzato.

Trave portante telescopica realizzata in tubolare metallico a sezione mm 100x50x2, verniciata a polveri epossidiche colore nero.

**Le scrivanie motorizzate devono essere sempre completate con pulsantiera e cavo di alimentazione!**

E' possibile utilizzare il sistema anti-collisione fornito separatamente come optional.

### BENCH GAMBE A PONTE CON ALTEZZA REGOLABILE H.62+128 (CON SISTEMA MOTORIZZATO):

Costituito da : due piani scrivania, due gambe a ponte, due travi portanti centrali telescopiche, due centraline elettriche.

I piani di lavoro sono realizzati con pannelli di particelle di legno sp. mm 25 nobilitati in melaminico (Classe E1 basso contenuto di Formaldeide ) e bordati perimetralmente in ABS mm 2 in tinta con la superficie e disponibili nei colori: ROVERE 03, ROVERE GREY 04, NOCE PAVIA 06, GRIGIO 42, STONE GREY 44, WENGHE' 45, BIANCO BR. 69.

Gambe a ponte sono realizzate con tubolari metallici telescopici a sezione rettangolare mm 90x60x2, verniciati a polveri epossidiche nei colori: ARGENTO e BIANCO.

Alla base delle gambe sono situati piedini livellatori. Nella parte trasversale superiore sono situati attacchi per il fissaggio delle travi portanti centrali e dell'eventuale pannello frontale.

Travi portanti telescopiche realizzate in tubolare metallico a sezione mm 100x50x2, verniciate a polveri epossidiche colore nero.

**I bench motorizzati devono essere sempre completati con 2 pulsantiere e 2 cavi di alimentazione!**

E' possibile utilizzare il sistema anti-collisione fornito separatamente come optional.

### PANNELLI FRONTALI PER BENCH:

Disponibili nelle lunghezze L.160-180

Sono realizzati con pannelli di particelle di legno totale spessore mm 40, rivestiti in vari tipi di tessuto: CREPE, STRETCH, MELANGE, TREVI, LANA, TAYLOR by Flukso, GO CHECK by Gabriel, RUNNER by Gabriel. Perimetralmente sono rifiniti con profilo metallico verniciato ARGENTO e BIANCO. Sulla parte superiore è inserito un binario di alluminio estruso per l'aggancio di accessori sospesi.

Il montaggio dei pannelli frontali avviene sopra le gambe a ponte del bench con le staffe in dotazione.

### CANALI PORTA CAVI PER SCRIVANIE CON GAMBE A "T" O BENCH (UP\_ONE & UP):

Realizzati in lamiera metallica sp. mm 1 verniciata a polveri epossidiche nel colore ARGENTO e BIANCO, consente l'alloggiamento di kit elettrificazione e la raccolta di cavi in eccesso. Il fissaggio avviene sottopiano con delle clips che consentono l'ispezionabilità.

### SCIENE PER SCRIVANIE (UP\_ONE & UP):

Realizzate in pannelli di particelle di legno sp. mm 18 nobilitati in melaminico (Classe E1 basso contenuto di Formaldeide) e bordati perimetralmente in ABS mm 2 in tinta con la superficie e disponibili nei colori: ARGENTO GOLF 01 e BIANCO BR. 69.

Si fissano sulla parte inferiore del lato frontale dei piani di lavoro mediante staffe metalliche colore ARGENTO.

### CARATTERISTICHE FISICO-MECCANICHE DEI PANNELLI DI PARTICELLE DI LEGNO DI SPESSORE mm 18 NOBILITATI IN MELAMINICO:

DESCRIZIONE	VALORE MINIMO	NORMA DI RIFERIMENTO
Massa volumica	650 Kg / m <sup>3</sup> ± 10%	UNI EN 323 :1994
Umidità relativa	5 - 13%	UNI EN 322 :1994
Tolleranza spessore	± 0,3 mm	UNI EN 324-1/1994
Rigonfiamento a 24 ore	15%	UNI EN 317 :1994
Distacco strati esterni	0,8 Mpa	UNI EN 311 :2003
Flessione statica	16 Mpa	UNI EN 310 :1994
Modulo di elasticità	1600 Mpa	UNI EN 310 :1994
Estrazione viti sui bordi	> 400 N	UNI EN 320 :1994
Contenuto di formaldeide	≤ a 3,5 mg H <sub>2</sub> CO (m <sup>2</sup> x h)	UNI EN ISO 12460 - 3:2015

Emesso da Ufficio Tecnico LAS MOBILI  
Data ultima revisione: GENNAIO 2020

UP

## TECHNICAL DESCRIPTION UP\_ONE

### UP\_ONE DESKS "T" LEGS WITH ADJUSTABLE HEIGHT H.62±128 cms (WITH AUTOMATIC SYSTEM):

It is composed of: a worktop, two automatic "T" legs, a supporting telescopic beam, a control system box, a control panel UP/DOWN, a EU power cable w 300 cms.

Worktop made of particleboard panels 25mm thick. (Class E1 low formaldehyde content) , melamine-faced in the following colours: OAK 03, GREY OAK 04, PAVIA WALNUT 06, GREY 42, STONE GREY 44, WENGE' 45, BR. WHITE 69. Edge-finishing in 2 mm ABS matching the main shade.

"T" Legs are made of telescopic metallic tubulars with rectangular section mm 90x60x2, painted with epoxy resin powder in SILVER or WHITE colours. In the lower position there are adjustable feet.

The height is adjusted by an automatic system.

Supporting telescopic beams made of metallic tubular with squared section mm 100x50x2, painted with epoxy resin powder in black colour.

## TECHNICAL DESCRIPTION UP

### DESKS BRIDGE LEGS WITH ADJUSTABLE HEIGHT H 65±85 cms (WITH KNOB OR CRANK)

It is composed of: a worktop, two bridge legs, a supporting beam and an additional beam (optional for w.140)

Worktop made of particleboard panels 25mm thick. (Class E1 low formaldehyde content) , melamine-faced in the following colours: OAK 03, GREY OAK 04, PAVIA WALNUT 06, GREY 42, STONE GREY 44, WENGE' 45, BR. WHITE 69. Edge-finishing in 2 mm ABS matching the main shade.

Bridge legs made of telescopic metallic tubular with squared section mm 50x50x2, painted with epoxy resin powder in SILVER and WHITE colour.

In the lower position there are adjustable feet. In the upper and transverse part are situated connections for fixing the supporting beams.

The height is adjusted by a knob or crank system. The scale printed indicates the size in height of the desk including the worktop.

Supporting beam made of metallic tubular with squared section mm 50x50x2, painted with epoxy resin powder in SILVER and WHITE colours. It has holes for attachment of the cable tray.

Additional beam made of metallic tubular with rectangular section mm 45x25x2, painted with epoxy resin powder in SILVER and WHITE colours.

### CABLE TRAY FOR DESKS WITH BRIDGE LEGS:

Made of metallic sheet thick 1 mm , painted with epoxy resin powder in SILVER or WHITE colours, allows the insertion of electrification kit and the support of excess cables. Hook on the external beam (guest side).

### DESKS "T" LEGS WITH ADJUSTABLE HEIGHT H.62±128 cms (WITH AUTOMATIC SYSTEM):

It is composed of: a worktop, two automatic "T" legs, a supporting telescopic beam, a control system box.

Worktop made of particleboard panels 25mm thick. (Class E1 low formaldehyde content) , melamine-faced in the following colours: OAK 03, GREY OAK 04, PAVIA WALNUT 06, GREY 42, STONE GREY 44, WENGE' 45, BR. WHITE 69. Edge-finishing in 2 mm ABS matching the main shade.

"T" Legs are made of telescopic metallic tubulars with rectangular section mm 90x60x2, painted with epoxy resin powder in SILVER or WHITE colours. In the lower position there are adjustable feet.

The height is adjusted by an automatic system.

Supporting telescopic beams made of metallic tubular with squared section mm 100x50x2, painted with epoxy resin powder in black colour.

**The automatic desks must always be completed with 1 control panel up/down and 1 power cable!**

It is possible to use the anti-collision sensor set supplied separately as optional.

### BENCH BRIDGE LEGS WITH ADJUSTABLE HEIGHT H.62±128 cms (WITH AUTOMATIC SYSTEM):

It is composed of: two worktops, two bridge legs, two telescopic central support beams, two control system box.

Worktop made of particleboard panels 25mm thick. (Class E1 low formaldehyde content) , melamine-faced in the following colours: OAK 03, GREY OAK 04, PAVIA WALNUT 06, GREY 42, STONE GREY 44, WENGE' 45, BR. WHITE 69. Edge-finishing in 2 mm ABS matching the main shade.

Bridge legs made of telescopic metallic tubular with rectangular section mm 90x60x2, painted with epoxy resin powder in SILVER and WHITE colours.

In the lower position there are adjustable feet.

Supporting telescopic beams made of metallic tubular with squared section mm 100x50x2, painted with epoxy resin powder in in black colour.

**The automatic benches must always be completed with 2 control panel up/down and 2 power cables!**

It is possible to use the anti-collision sensor set supplied separately as optional.

### FRONT PANEL FOR BENCH:

Available in the width 160-180 cms.

Are made of particleboard panels, 40mm total thickness, covered with various fabrics: CREPE, STRETCH, MELANGE, TREVI, LANA, TAYLOR by Flukso, GO CHECK by Gabriel, RUNNER by Gabriel.

Perimetrically finished with metal profile painted in SILVER and WHITE colours. In the upper side is inserted an aluminium rail for hooking of the suspended accessories.

The assembly of the front panel is above the bridge legs of the bench with the supplied brackets

### CABLE TRAYS FOR DESKS WITH "T" LEGS OR BENCH (UP\_ONE & UP):

Made of metallic sheet thick 1 mm , painted with epoxy resin powder in SILVER or WHITE colour, allows the insertion of electrification kit and the support of excess cables.

The fixing is under desk top with the clips that allow the inspectability.

### MODESTY PANEL FOR DESKS (UP\_ONE & UP):

Made of particleboard panels 18mm thick. (Class E1 low formaldehyde content) , melamine-faced in the following colours: GOLF SILVER 01 and BR. WHITE 69. Edge-finishing in 2 mm ABS matching the main shade.

They are secured to the lower part of the front side of the worktops using SILVER-coloured metal brackets.

PHYSICAL-MECHANICAL CHARACTERISTICS OF 18 MM THICK PARTICLEBOARD PANELS, MELAMINE-FACED:		
DESCRIPTION	MINIMUM VALUE	STANDARD NUMBERS
Volume Mass	650 Kg / m <sup>3</sup> ± 10%	UNI EN 323 :1994
Relative Humidity	5 - 13%	UNI EN 322 :1994
Thickness Allowance	± 0,3 mm	UNI EN 324-1/1994
24 hour Swelling	15%	UNI EN 317 :1994
External Surfaces Detachment	0,8 Mpa	UNI EN 311 :2003
Static Flexure	16 Mpa	UNI EN 310 :1994
Elastic Modulus	1600 Mpa	UNI EN 310 :1994
Edge Screws Extraction	> 400 N	UNI EN 320 :1994
Formaldehyde Content	≤ a 3,5 mg H <sub>2</sub> CO (m <sup>2</sup> x h)	UNI EN ISO 12460 - 3:2015

Released by the Technical Office of LAS MOBILI  
last revision date: JANUARY 2020



\* = INDICARE IL CODICE FINITURA  
= complete with finish code

CODICE code	DESCRIZIONE description	SP. PIANO top	PAG. page	Cat. B	Cat. D	Cat. E	Cat. F	Cat. G	PR1	
				€	€	€	€	€		
150 019 *	SCRIVANIA GAMBE A PONTE CON ALTEZZA REGOLABILE L.140 x p.80 desk bridge legs with adjustable height w 140 x d 80 cms	CON POMO with knob	25 mm	11	-	-	-	-	-	500,00
150 020 *	SCRIVANIA GAMBE A PONTE CON ALTEZZA REGOLABILE L.160 x p.80 desk bridge legs with adjustable height w 160 x d 80 cms	CON POMO with knob	25 mm	11	-	-	-	-	-	542,00
150 021 *	SCRIVANIA GAMBE A PONTE CON ALTEZZA REGOLABILE L.180 x p.80 desk bridge legs with adjustable height w 180 x d 80 cms	CON POMO with knob	25 mm	11	-	-	-	-	-	560,00
150 081 *	SCRIVANIA GAMBE A PONTE CON ALTEZZA REGOLABILE L.140 x p.80 desk bridge legs with adjustable height w 140 x d 80 cms	CON MANOVELLA with crank	25 mm	11	-	-	-	-	-	953,00
150 082 *	SCRIVANIA GAMBE A PONTE CON ALTEZZA REGOLABILE L.160 x p.80 desk bridge legs with adjustable height w 160 x d 80 cms	CON MANOVELLA with crank	25 mm	11	-	-	-	-	-	1.001,00
150 083 *	SCRIVANIA GAMBE A PONTE CON ALTEZZA REGOLABILE L.180 x p.80 desk bridge legs with adjustable height w 180 x d 80 cms	CON MANOVELLA with crank	25 mm	11	-	-	-	-	-	1.020,00
150 116 *	TRAVE SUPPLEMENTARE PER SCRIVANIE CON GAMBE A PONTE L.140 additional beam for desks with bridge legs w 140 cms			11	-	-	-	-	-	31,00
150 121 *	CANALE PORTA-CAVI BASCULANTE PER SCRIVANIE CON GAMBE A PONTE L.140+1 FISSAGGIO CAVI + 2 CLIP FERMACAVI tilting cable tray for desks with bridge legs w 140 cms + 1 fixing cable + 2 plastic cable clamp			11	-	-	-	-	-	52,00
150 122 *	CANALE PORTA-CAVI BASCULANTE PER SCRIVANIE CON GAMBE A PONTE L.160+1 FISSAGGIO CAVI + 2 CLIP FERMACAVI tilting cable tray for desks with bridge legs w 160 cms + 1 fixing cable + 2 plastic cable clamp			11	-	-	-	-	-	59,00
150 123 *	CANALE PORTA-CAVI BASCULANTE PER SCRIVANIE CON GAMBE A PONTE L.180+1 FISSAGGIO CAVI + 2 CLIP FERMACAVI tilting cable tray for desks with bridge legs w 180 cms + 1 fixing cable + 2 plastic cable clamp			11	-	-	-	-	-	65,00
150 126 *	CANALE PORTA-CAVI L.123.2 PER SCRIVANIA GAMBE A "T" CON ALTEZZA REGOLABILE o BENCH cable tray w 123.2 cms for desk "T" legs with adjustable height or bench	PER SISTEMA MOTORIZZATO for automatic system		10-13	-	-	-	-	-	71,00
150 127 *	CANALE PORTA-CAVI L.143.2 PER SCRIVANIA GAMBE A "T" CON ALTEZZA REGOLABILE o BENCH cable tray w 143.2 cms for desk "T" legs with adjustable height or or bench	PER SISTEMA MOTORIZZATO for automatic system		10-13	-	-	-	-	-	74,00
150 128 *	SISTEMA ANTI-COLLISIONE anti-collision sensor set	PER SISTEMA MOTORIZZATO for automatic system		13	-	-	-	-	-	74,00
150 402 *	SCHIENA PER SCRIVANIA L.140 modesty panel for desk w 140 cms			14	-	-	-	-	-	37,00
150 403 *	SCHIENA PER SCRIVANIA L.160 modesty panel for desk w 160 cms			14	-	-	-	-	-	40,00
150 404 *	SCHIENA PER SCRIVANIA L.180 modesty panel for desk w 180 cms			14	-	-	-	-	-	43,00
150 408 *	PANNELLO FRONTALE PER BENCH L.160 front panel for bench w 160 cms	PROFILO E STAFFE COLORE: ARGENTO edge profile and stirrups colour: silver	40 mm	13	462,00	488,00	498,00	508,00	524,00	-
150 409 *	PANNELLO FRONTALE PER BENCH L.180 front panel for bench w 180 cms	PROFILO E STAFFE COLORE: ARGENTO edge profile and stirrups colour: silver	40 mm	13	504,00	533,00	544,00	555,00	573,00	-
150 411 *	PANNELLO FRONTALE PER BENCH L.160 front panel for bench w 160 cms	PROFILO E STAFFE COLORE: BIANCO edge profile and stirrups colour: white	40 mm	13	462,00	488,00	498,00	508,00	524,00	-
150 412 *	PANNELLO FRONTALE PER BENCH L.180 front panel for bench w 180 cms	PROFILO E STAFFE COLORE: BIANCO edge profile and stirrups colour: white	40 mm	13	504,00	533,00	544,00	555,00	573,00	-
150 498 *	BENCH L.160 bench w 160 cms	CON SISTEMA MOTORIZZATO with automatic system	25 mm	13	-	-	-	-	-	2.192,00
150 499 *	BENCH L.180 bench w 180 cms	CON SISTEMA MOTORIZZATO with automatic system	25 mm	13	-	-	-	-	-	2.210,00
150 653 *	SCRIVANIA GAMBE A "T" CON ALTEZZA REGOLABILE L.140 x p.80 desk "T" legs with adjustable height w 140 x d 80 cms	CON SISTEMA MOTORIZZATO with automatic system	25 mm	12	-	-	-	-	-	1.086,00
150 654 *	SCRIVANIA GAMBE A "T" CON ALTEZZA REGOLABILE L.160 x p.80 desk "T" legs with adjustable height w 160 x d 80 cms	CON SISTEMA MOTORIZZATO with automatic system	25 mm	12	-	-	-	-	-	1.095,00
150 655 *	SCRIVANIA GAMBE A "T" CON ALTEZZA REGOLABILE L.180 x p.80 desk "T" legs with adjustable height w 180 x d 80 cms	CON SISTEMA MOTORIZZATO with automatic system	25 mm	12	-	-	-	-	-	1.104,00
150 657 *	SCRIVANIA SAGOMATA GAMBE A "T" CON ALTEZZA REGOLABILE L.160 x p.90 shaped desk "T" legs with adjustable height w 160 x d 90 cms	CON SISTEMA MOTORIZZATO with automatic system	25 mm	12	-	-	-	-	-	1.131,00
150 663 *	"UP-ONE" SCRIVANIA GAMBE A "T" CON ALTEZZA REGOLABILE L.140 x p.80 "UP-ONE" desk "T" legs with adjustable height w 140 x d 80 cms	CON SISTEMA MOTORIZZATO with automatic system	25 mm	10	-	-	-	-	-	783,00
150 664 *	"UP-ONE" SCRIVANIA GAMBE A "T" CON ALTEZZA REGOLABILE L.160 x p.80 "UP-ONE" desk "T" legs with adjustable height w 160 x d 80 cms	CON SISTEMA MOTORIZZATO with automatic system	25 mm	10	-	-	-	-	-	792,00
150 665 *	"UP-ONE" SCRIVANIA GAMBE A "T" CON ALTEZZA REGOLABILE L.180 x p.80 "UP-ONE" desk "T" legs with adjustable height w 180 x d 80 cms	CON SISTEMA MOTORIZZATO with automatic system	25 mm	10	-	-	-	-	-	801,00
150 667 *	"UP-ONE" SCRIVANIA SAGOMATA GAMBE A "T" CON ALTEZZA REGOLABILE L.160 x p.90 "UP-ONE" shaped desk "T" legs with adjustable height w 160 x d 90 cms	CON SISTEMA MOTORIZZATO with automatic system	25 mm	10	-	-	-	-	-	828,00
150 680 *	PULSANTIERA UP/DOWN control panel UP/DOWN			12	-	-	-	-	-	22,00

UP

\* = INDICARE IL CODICE FINITURA  
= complete with finish code

CODICE code	DESCRIZIONE description	SP. PIANO top	PAG. page	Cat. B	Cat. D	Cat. E	Cat. F	Cat. G	PR1
				€	€	€	€	€	
				CREPE	STRETCH MELANGE TREVI	LANA	TAYLOR	GO CHECK RUNNER	
150 683 *	PULSANTIERA UP/DOWN "COMFORT" RETRAIBILE retractable control panel UP/DOWN "COMFORT"		12	-	-	-	-	-	76,00
150 690 *	CAVO DI ALIMENTAZIONE EU L.3,00 MTL. EU power cable W 3, 00 LMT		12	-	-	-	-	-	13,00
150 692 *	CAVO DI ALIMENTAZIONE UK L.3,00 MTL. UK power cable W 3, 00 LMT		12	-	-	-	-	-	15,00
150 693 *	CAVO DI ALIMENTAZIONE UK L.3,00 MTL. UK power cable W 3, 00 LMT		10	-	-	-	-	-	9,00
OYO									
175 425 *	VERTEBRA 6x4xH.73 CM rising channel 6x4xh.73 cms		14	-	-	-	-	-	59,00
175 426 *	VERTEBRA 6x4XH.128 CM rising channel 6x4xh.128 cms		14	-	-	-	-	-	75,00
175 895	KIT ELETTRIF. SINGOLO CON PRESE INGLESI E CAVO DI ALIMENTAZIONE L.200 single electrification kit with BRITISH sockets and power cable of w 200 cms		14	-	-	-	-	-	160,00
175 899 *	KIT ELETTRIF. SINGOLO CON PRESE SCHUKO E CAVO DI ALIMENTAZIONE L.200 Single electrification kit with SCHUKO sockets and power cable of w 200 cms		14	-	-	-	-	-	86,00
175 900 *	KIT ELETTRIF. DOPPIO CON PRESE SCHUKO E CAVO DI ALIMENTAZIONE L.200 double electrification kit with SCHUKO sockets and power cable of w 200 cms		14	-	-	-	-	-	160,00
175 901 *	KIT PROLUNGA L.200 CON 1 PRESA ENTRATA / 1 USCITA extension kit of w 200 cms with an input-and-out-put-plug		14	-	-	-	-	-	30,00